

# SHOGYO INTERNATIONAL CORPORATION

Tel: 516-921-911 Fax: 516-921-3777

E-mail: [INFO@SHOGYO.COM](mailto:INFO@SHOGYO.COM) Website: [WWW.SHOGYO.COM](http://WWW.SHOGYO.COM)

## Model No. :2250 (RoHS)

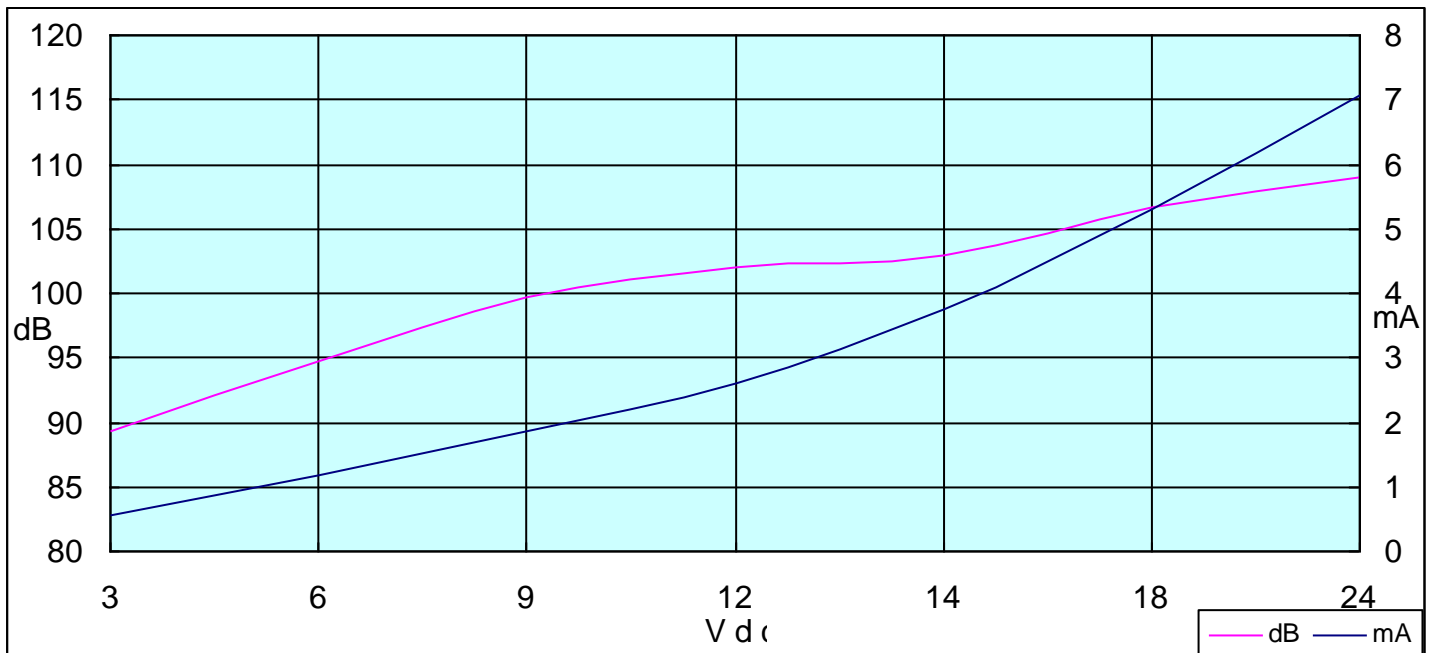
DATE:2010.06.07

### 1 . Electrical Characteristics

VER.:1

Oscillation Frequency (KHz)	3.5 ±0.5
Operating Voltage (Vdc)	3 ~ 24
Rated Voltage (Vdc)	12
Current Consumption (mA/max.)	10 at Rated Voltage
Sound Pressure Level (dB/min.)	95 at 30cm at Rated Voltage
Tone/Pulse Rate	Constant
Operating Temperature (°C)	-20 ~ +70
Storage Temperature (°C)	-30 ~ +80
Manual soldering conditionsn (°C)	350±20°C / within 5sec

### 2 . Voltage/ Current / Sound Pressure



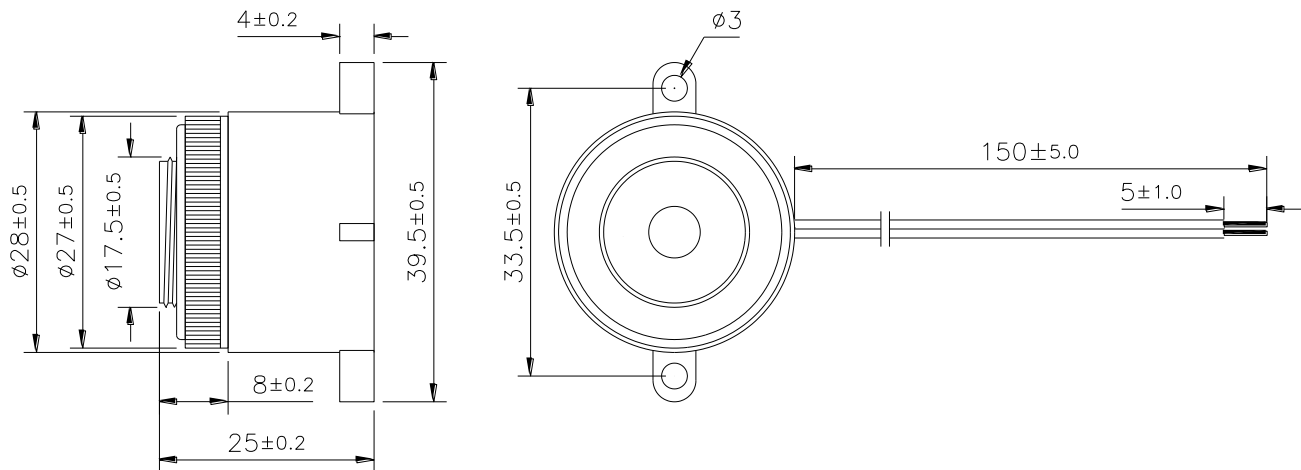
# SHOGYO INTERNATIONAL CORPORATION

Tel: 516-921-911 Fax: 516-921-3777

E-mail: [INFO@SHOGYO.COM](mailto:INFO@SHOGYO.COM) Website: [WWW.SHOGYO.COM](http://WWW.SHOGYO.COM)

## 3 . Dimensions and Material

### 3-1 Shape



Unit : mm

### 3-2 Material

Housing	ABS 757 plastic resin (Color : Black)
Leading Wire	28 AWG(Red + Black)
Weight (Gram)	8.8

# SHOGYO INTERNATIONAL CORPORATION

Tel: 516-921-911 Fax: 516-921-3777

E-mail: [INFO@SHOGYO.COM](mailto:INFO@SHOGYO.COM) Website: [WWW.SHOGYO.COM](http://WWW.SHOGYO.COM)

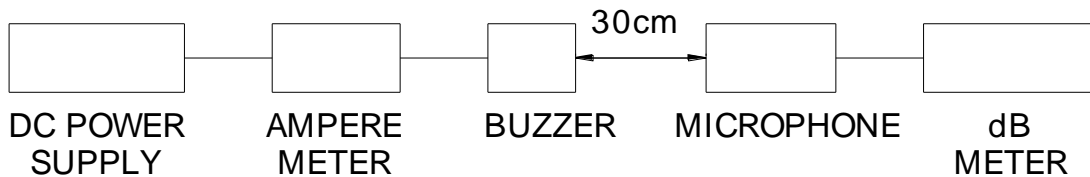
## 4. TESTING METHOD

### · *Standard Measurement conditions*

Temperature:  $25 \pm 2$  °C Humidity: 45-60%

### · *Acoustic Characteristics*

The oscillation frequency, current consumption and sound pressure are measured by the measuring instruments shown below.



In the measuring test, buzzer is placed as follows:



# SHOGYO INTERNATIONAL CORPORATION

Tel: 516-921-911 Fax: 516-921-3777

E-mail: [INFO@SHOGYO.COM](mailto:INFO@SHOGYO.COM) Website: [WWW.SHOGYO.COM](http://WWW.SHOGYO.COM)

## 5. RELIABILITY

<b>ITEMS</b>	<b>METHOD OF TEST AND MEASUREMENTS</b>	<b>PERFORMANCE</b>
<i>Coldness withstanding</i>	<i>After 98 hours of being exposed to -30°C environment, should be returned to normal environment for 2 hours, then re-proceed to test.</i>	<i>No abnormality shall exist</i>
<i>Hotness withstanding</i>	<i>After 98 hours of being exposed to +80°C environment, should be returned to normal environment for 2 hours, then re-proceed to test.</i>	<i>No abnormality shall exist</i>
<i>Humidity withstanding</i>	<i>After 98 hours of being exposed to 40°C 95%RH environment in actual operation, should be returned to normal environment for 2 hours, then re-proceed to test.</i>	<i>No abnormality shall exist</i>
<i>Durability</i>	<i>Testing after 1,000 hours actual continuous operation.(at standard measurement conditions)</i>	<i>No abnormality shall exist</i>
<i>Drop withstanding</i>	<i>A natural drop from 75cm high down to the ground.</i>	<i>No abnormality shall exist</i>
<i>Vibration withstanding</i>	<i>Vibration of 2,000 cycles per minute, 2mm amplitude, applied in X, Y and Z directions for 30 minutes each.</i>	<i>No abnormality shall exist</i>

## 6. PACKAGE METHOD

<1> 80pcs per box , Total 10 boxes per carton , total 800pcs carton;

Volume: L\*W\*H=510\*330\*300mm

(For RoHS )