

SHOGYO INTERNATIONAL CORPORATION

Email: INFO@SHOGYO.COM Website: WWW.SHOGYO.COM

Tel: 516-921-9111 Fax: 516-921-3777

Model No. : 2253 (RoHS)

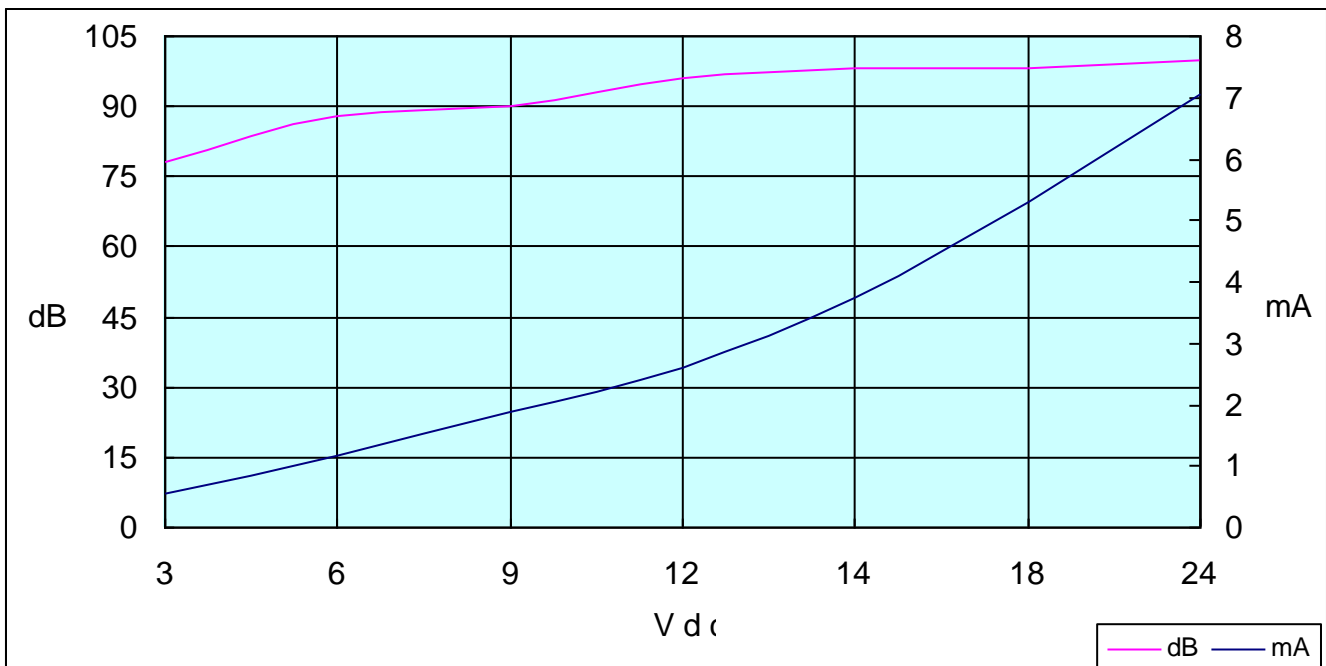
DATE:2006.01.07

1 . Electrical Characteristics

VER .:0

Oscillation Frequency (KHz)	3.5 ±0.5
Operating Voltage (Vdc)	3 ~ 24
Rated Voltage (Vdc)	12
Current Consumption (mA/max.)	10 at Rated Voltage
Sound Pressure Level (dB/min.)	95 at 30cm at Rated Voltage
Tone/Pulse Rate (Hz)	Slow Pulse 1.2 ±20%
Operating Temperature (°C)	-20 ~ +70
Storage Temperature (°C)	-30 ~ +80
Manual soldering conditions	350±20°C / within 5sec

2 . Voltage/ Current/ Sound Pressure



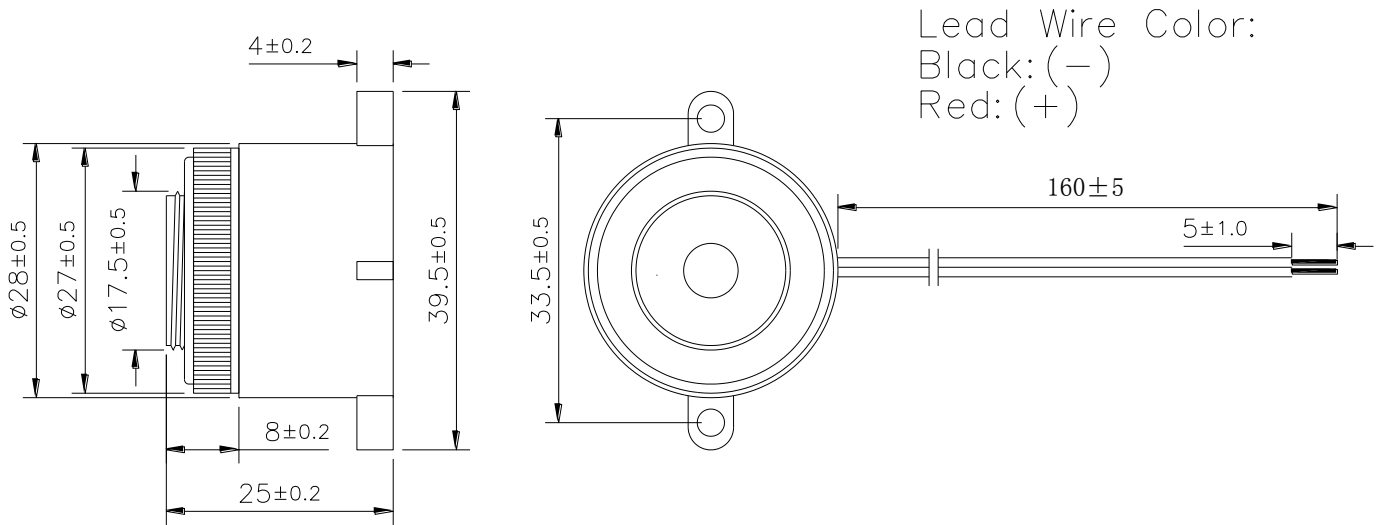
SHOGYO INTERNATIONAL CORPORATION

Email: INFO@SHOGYO.COM Website: WWW.SHOGYO.COM

Tel: 516-921-9111 Fax: 516-921-3777

3 . Dimensions and Material

3-1 Shape



Unit : mm

3-2 Material

Housing	ABS 757 UL94HB plastic resin (Color: Black)
Leading Wire	28 AWG (Color: Black +Red)
Weight (Gram)	9.4

SHOGYO INTERNATIONAL CORPORATION

Email: INFO@SHOGYO.COM Website: WWW.SHOGYO.COM

Tel: 516-921-9111 Fax: 516-921-3777

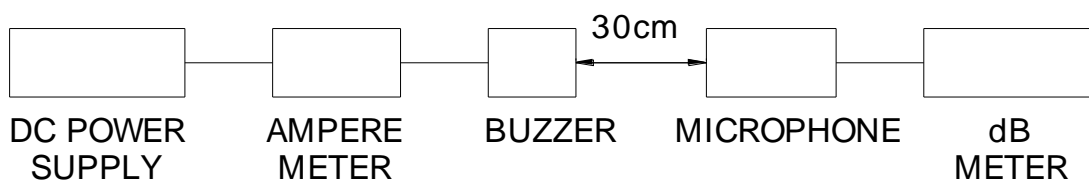
4. TESTING METHOD

• *Standard Measurement conditions*

Temperature: 25 ± 2 °C Humidity: 45-60%

• *Acoustic Characteristics*

The oscillation frequency, current consumption and sound pressure are measured by the measuring instruments shown below



In the measuring test, buzzer is placed as follows:



SHOGYO INTERNATIONAL CORPORATION

Email: INFO@SHOGYO.COM Website: WWW.SHOGYO.COM

Tel: 516-921-9111 Fax: 516-921-3777

5. RELIABILITY

ITEMS	METHOD OF TEST AND MEASUREMENTS	PERFORMANCE
<i>Coldness withstanding</i>	<i>After 98 hours of being exposed to -30 °C environment, should be returned to normal environment for 2 hours, then re-proceed to test.</i>	<i>No abnormality shall exist</i>
<i>Hotness withstanding</i>	<i>After 98 hours of being exposed to +80 °C environment, should be returned to normal environment for 2 hours, then re-proceed to test.</i>	<i>No abnormality shall exist</i>
<i>Humidity withstanding</i>	<i>After 98 hours of being exposed to 40 °C 95%RH environment in actual operation, should be returned to normal environment for 2 hours, then re-proceed to test.</i>	<i>No abnormality shall exist</i>
<i>Durability</i>	<i>Testing after 1,000 hours actual continuous operation.(at standard measurement conditions)</i>	<i>No abnormality shall exist</i>
<i>Drop withstanding</i>	<i>A natural drop from 75cm high down to the ground.</i>	<i>No abnormality shall exist</i>
<i>Vibration withstanding</i>	<i>Vibration of 2,000 cycles per minute, 2mm amplitude, applied in X, Y and Z directions for 30 minutes each.</i>	<i>No abnormality shall exist</i>

6. PACKAGE METHOD

<1> 80pcs per box , Total 10 boxes per carton , total 800pcs carton;

Volume: L*W*H=510*330*300mm

<2> RoHS Mark

