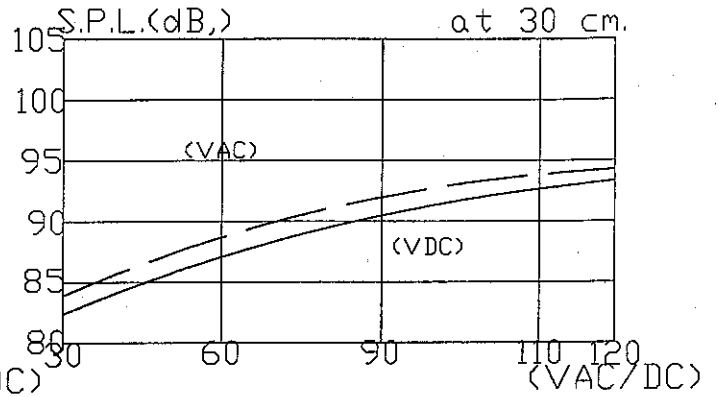
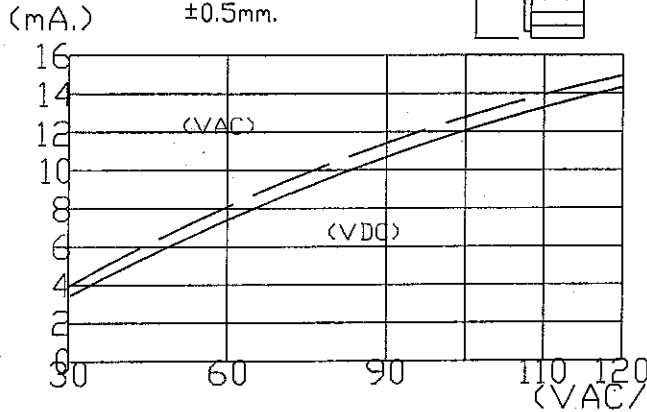


Unit:mm.
Tolerance:
 $\pm 0.5\text{mm.}$



Oscillating Frequency(Hz)	2900 \pm 500Hz.
Operating Voltage(VDC/VAC)	30 ~ 120
Loudness(at 60cm.)	70dB(30V)~85dB(120V)
Tone	Slow Pulse(1.2Hz.)
Operating Temperature($^{\circ}$)	-20~+60
Storage Temperature($^{\circ}$)	-30~+70
Weight (Gram)	48

PIEZO AUDIO INDICATOR		PART NO.
DRAWN 2012/6/1		2913AN(RoHS)
UNIT: mm.		
EDITION: 1		MATERIAL
SHEET 1 OF 1		ABS UL-94 1/16" HB



SHOGYO INTERNATIONAL CORP.
6851 JERICHO TURNPIKE, SYOSSET, N.Y. 11791
TEL: (516) 921-9111 • FAX: (516) 921-3777
www.shogyo.com