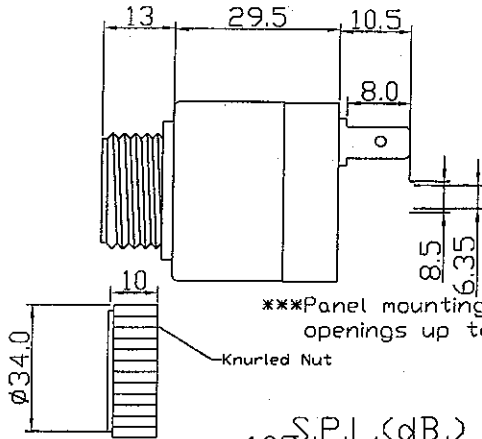
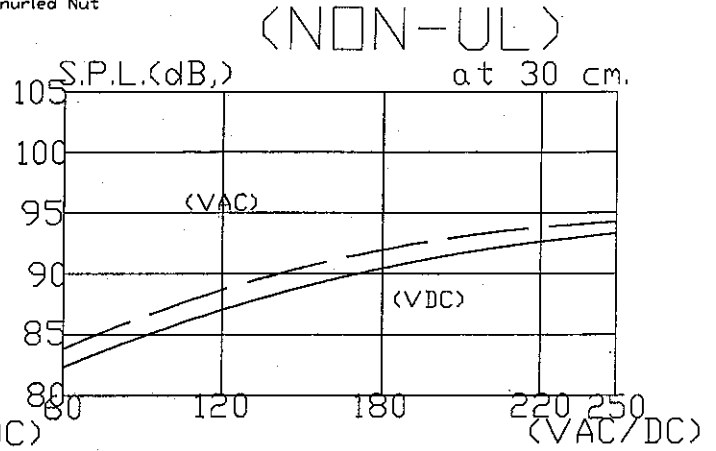
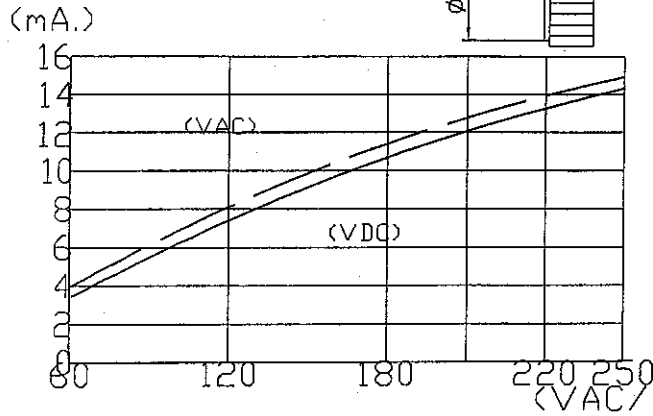
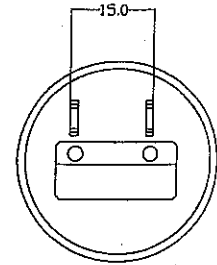


Unit:mm.
Tolerance:
±0.5mm.



***Panel mounting(fits 1 1/8" dia. panel openings up to 1/4" thick)



oscillating Frequency(Hz)	2900±500Hz.
operating Voltage(VDC/VAC)	60 - 250
Tone	Continuous
operating Temperature(°)	-20~+60
Storage Temperature(°)	-30~+70
Weight (Gram)	48

PIEZO AUDIO INDICATOR		PART NO.
DRAWN 2012/06/01		2920AN(RoHS)
UNIT: mm.		MATERIAL
EDITION: 1		ABS UL-94 1/16" HB
SHEET 1 OF 1		



SHOGYO INTERNATIONAL CORP.
6851 JERICHO TURNPIKE, SYOSSET, N.Y. 11791
TEL: (516) 921-9111 • FAX: (516) 921-3777
www.shogyo.com