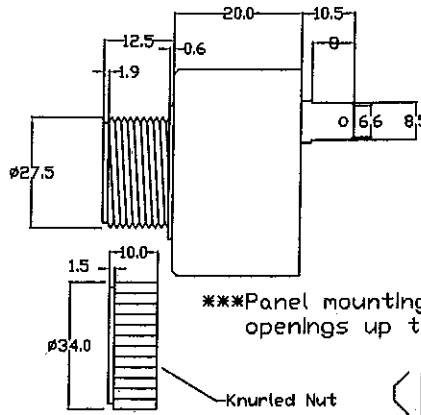
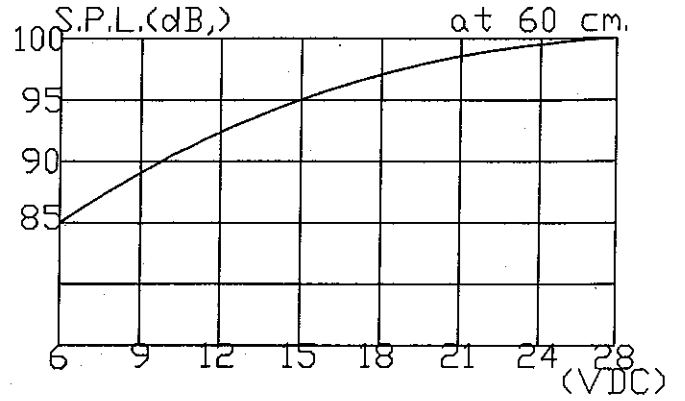
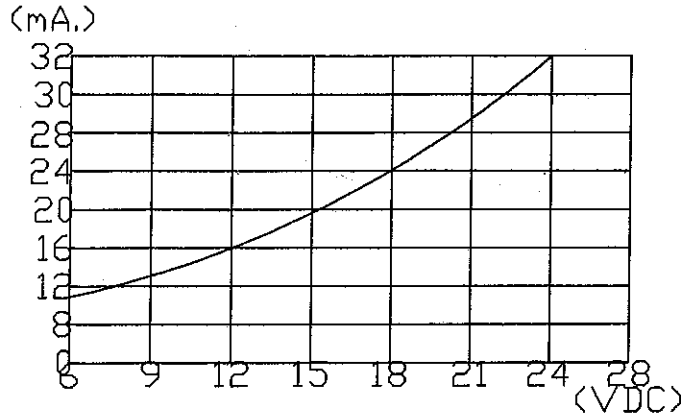


Unit:mm.
Tolerance:
±0.5mm.



***Panel mounting(fits 1 1/8" dia. panel openings up to 1/4" thick)

(NON-UL)



Oscillating Frequency(Hz)	2900±500Hz.
Operating Voltage(VDC)	6~28
Current Consumption at 12VDC (mA.maximum)	16
Sound Pressure Level at 60cm/12VDC(dB.minimum)	92
Tone	Continuous
Operating Temperature(°)	-20~+60
Storage Temperature(°)	-30~+70
Weight (Gram)	36

PIEZO AUDIO INDICATOR		PART NO. 2950A(RoHS)
DRAWN	2009/11/9	MATERIAL ABS UL-94 1/16" HB
UNIT:	mm.	
EDITION:	1	
SHEET	1 OF 1	

SHOGYO

SHOGYO INTERNATIONAL CORP.
6851 JERICHO TURNPIKE, SYOSSET, N.Y. 11791
TEL: (516) 921-9111 • FAX: (516) 921-3777
www.shogyo.com