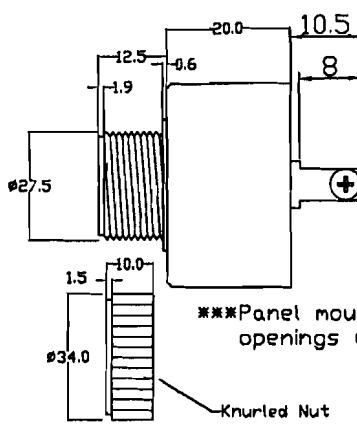
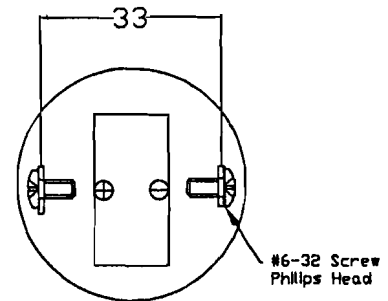


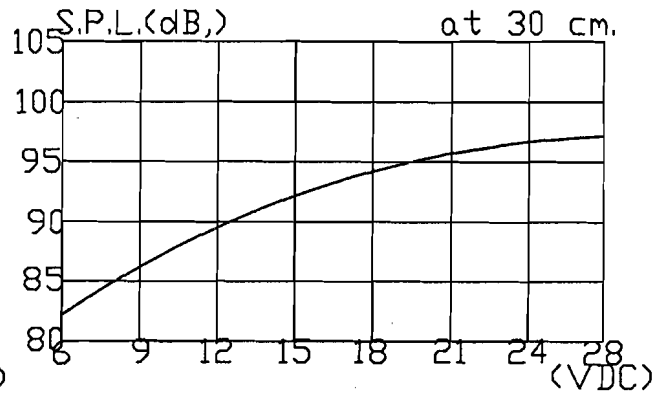
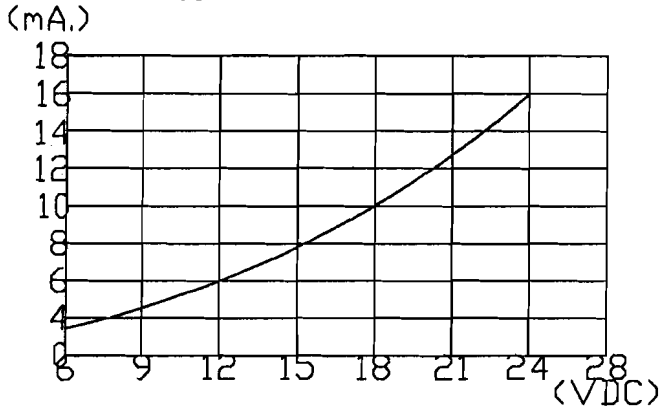
Unit:mm.
Tolerance:
±0.5mm.



***Panel mounting(Fits 1 1/8" dia. panel openings up to 1/4" thick)



(NON-UL)



Oscillating Frequency(Hz)	2900±500Hz.
Operating Voltage(VDC)	6~28
Current Consumption at 12VDC (mA.maximum)	8
Sound Pressure Level at 30cm/12VDC(dB.minimum)	85
Tone	Continuous
Operating Temperature(°)	-20~+60
Storage Temperature(°)	-30~+70
Weight (Gram)	35

PIEZO AUDIO INDICATOR		PART NO.
DRAWN 2009/01/20		2950S(RoHS)
UNIT: mm.		MATERIAL
EDITION: 1		(Black)
SHEET 1 OF 1		ABS UL-94 1/16" HB

SHOGYO

SHOGYO INTERNATIONAL CORP.
6851 JERICHO TURNPIKE, SYOSSET, N.Y. 11791
TEL: (516) 921-9111 • FAX: (516) 921-3777
www.shogyo.com