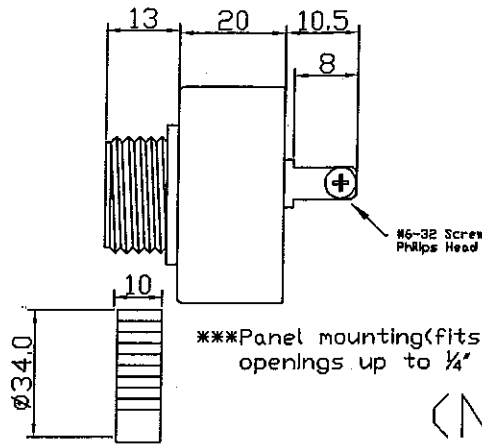
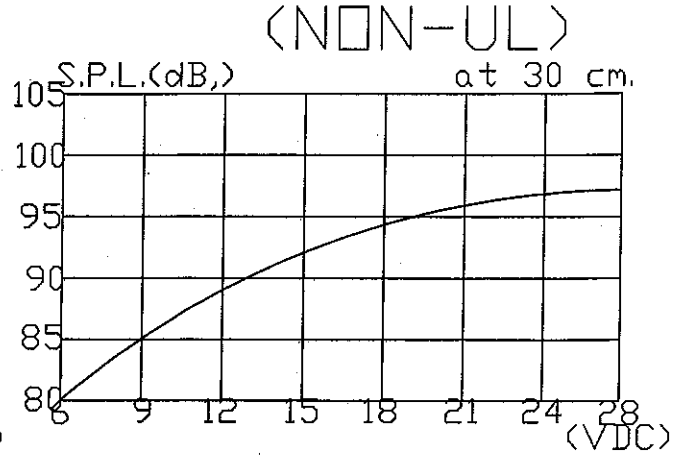
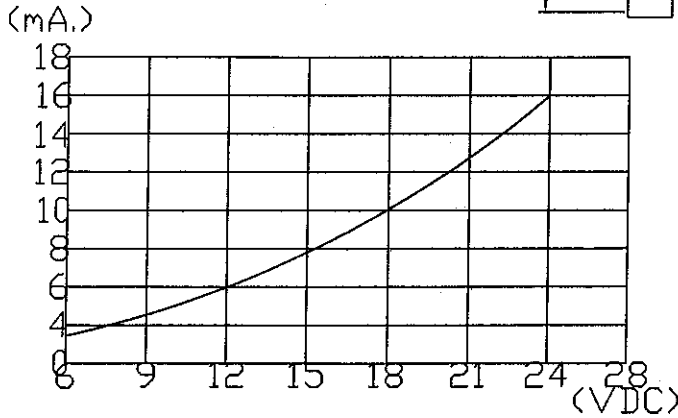
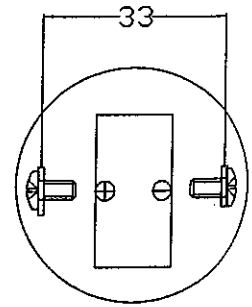


LOCKING
FLAT

Unit:mm.
Tolerance:
 $\pm 0.5\text{mm.}$



***Panel mounting(fits 1/8" dia. panel
openings up to 1/4" thick)



Oscillating Frequency(Hz)	2900 \pm 500Hz.
Operating Voltage(VDC)	6~28
Current Consumption at 12VDC (mA.maximum)	8
Sound Pressure Level at 30cm/12VDC(dB.minimum)	85
Tone	Fast Pulse(1.2Hz.)
Operating Temperature($^{\circ}$)	-20~+60
Storage Temperature($^{\circ}$)	-30~+70
Weight (Gram)	35

PIEZO AUDIO INDICATOR		PART NO.
DRAWN 2012/6/1		2951S(RoHS)
UNIT: mm.		
EDITION: 1		MATERIAL
SHEET 1 OF 1		ABS UL-94 1/16" HB

SHOGYO

SHOGYO INTERNATIONAL CORP.
6851 JERICHO TURNPIKE, SYOSSET, N.Y. 11791
TEL: (516) 921-9111 • FAX: (516) 921-3777
www.shogyo.com