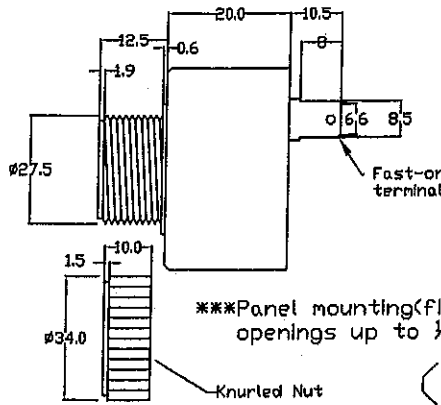


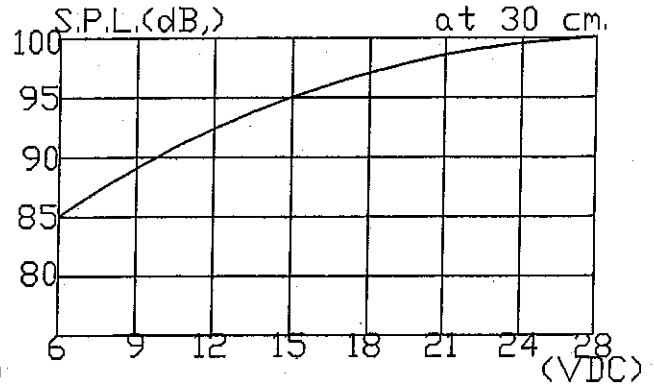
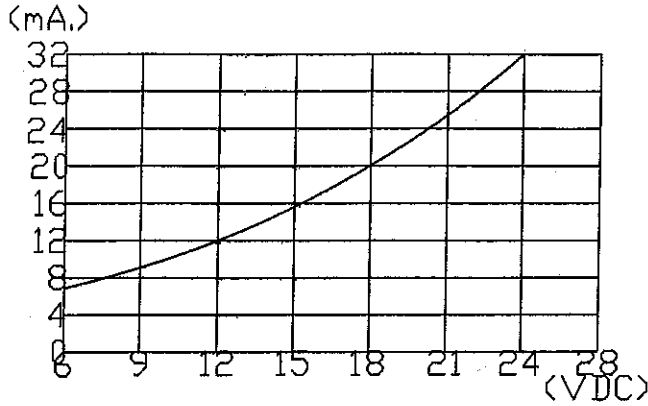
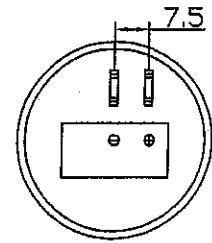
Unit:mm.
Tolerance:
±0.5mm.



***Panel mounting(fits 1 1/8" dia. panel openings up to 1/4" thick)

Knurled Nut

(NON-UL)



Oscillating Frequency(Hz)	2900±500Hz.
Operating Voltage(VDC)	6~28
Current Consumption at 12VDC (mA.maximum)	12
Sound Pressure Level at 30cm/12VDC(dB.minimum)	92
Tone	Slow Pulse(1.2Hz.)
Operating Temperature(°)	-20~+60
Storage Temperature(°)	-30~+70
Weight (Gram)	36

DRAWN 2012/3/01		PART NO. 2953A(ROHS)
UNIT: mm.		
EDITION: 1		MATERIAL ABS UL-94 1/16" HB
SHEET 1 OF 1		
PIEZO AUDIO INDICATOR		

SHOGYO

SHOGYO INTERNATIONAL CORP.
6851 JERICHO TURNPIKE, SYOSSET, N.Y. 11791
TEL: (516) 921-9111 • FAX: (516) 921-3777
www.shogyo.com