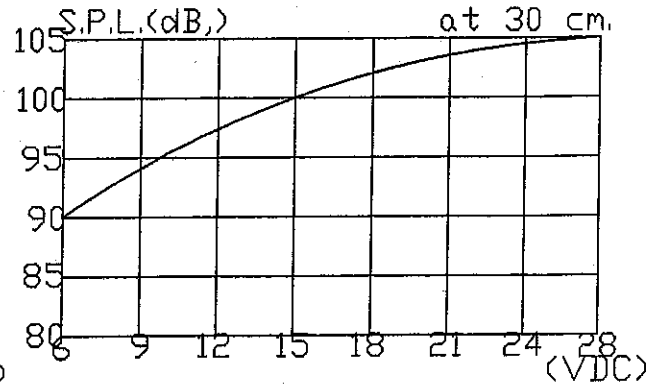
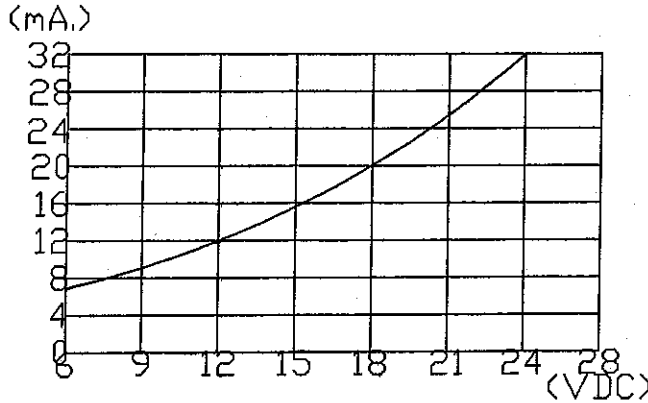
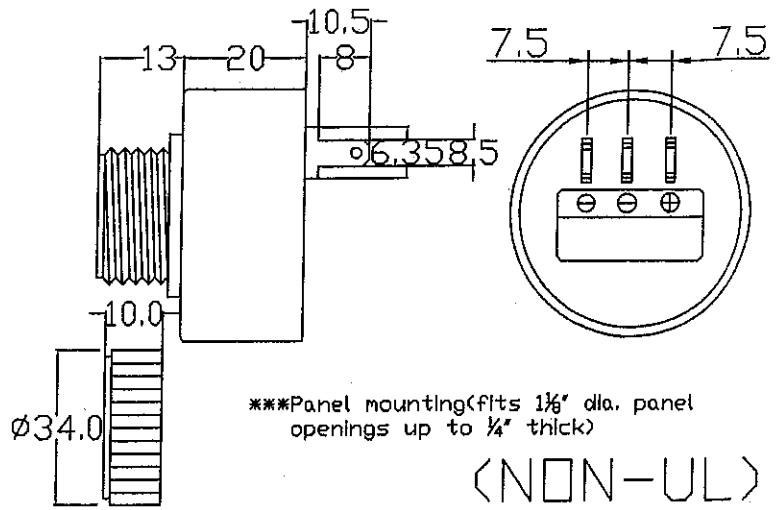


Unit:mm.
Tolerance:
 ± 0.5 mm.



Oscillating Frequency(Hz)	2900 \pm 500Hz.
Operating Voltage(VDC)	6~28
Current Consumption at 12VDC (mA.maximum)	12
Sound Pressure Level at 30cm/12VDC(dB.minimum)	92
Tone	Cont.+ Slow Pulse(1.2Hz.)
Operating Temperature($^{\circ}$)	-20~+60
Storage Temperature($^{\circ}$)	-30~+70
Weight (Gram)	36

PIEZO AUDIO INDICATOR		PART NO.
DRAWN 2012/6/1		2957A(RoHS)
UNIT: mm.		
EDITION: 1		MATERIAL
SHEET 1 OF 1		ABS UL-94 1/16" HB

SHOGYO

SHOGYO INTERNATIONAL CORP.
6851 JERICHO TURNPIKE, SYOSSET, N.Y. 11791
TEL: (516) 921-9111 • FAX: (516) 921-3777
www.shogyo.com