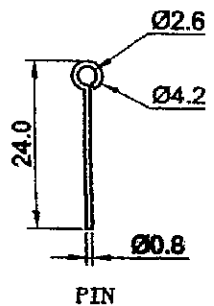
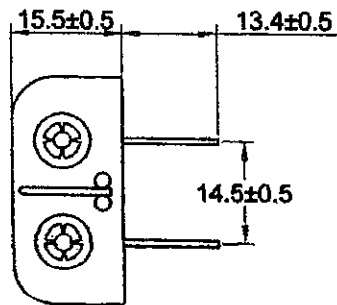
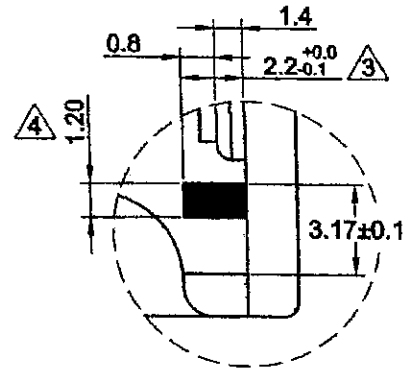
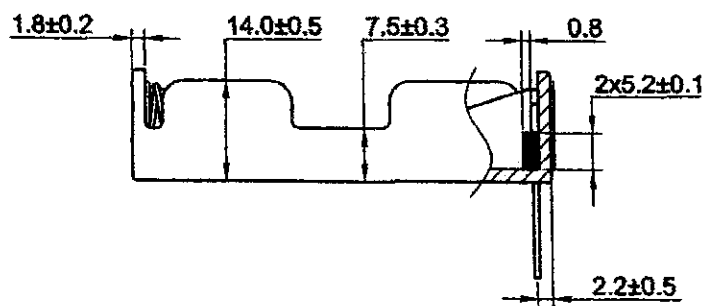


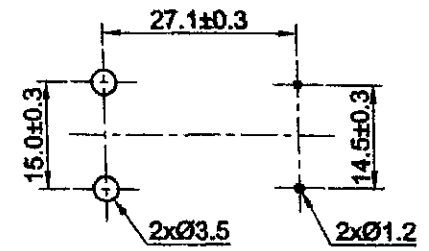
DETAIL "A"  
POLARITY PROTECTION DEVICE



PIN



DETAIL "A" S=4  
POLARITY PROTECTION DEVICE



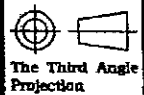
PCB/MOUNTING LAYOUT

SPECIFICATION

- (1) ITEM NO. : BH-321-2P24
- (2) WITH PIN: Ø0.8x24MM, BRASS NICKEL PLATED
- (3) HOLDER MATERIAL: PP 94HB RESIN, BLACK COLOR
- (4) SPRING MATERIAL: Ø0.65MM SPRING STEEL NICKEL PLATED
- (5) RIVET MATERIAL: BRASS NICKEL PLATED
- (6) RoHS COMPLIANT

⚠	Changed P.P.D.configuration	AUG03/2012
⚠	1. Changed P.P.D.dimension from 1.7 to 2.2 2. Changed the positive flag from 5x2.4x4 to 8x2.4x4	FEB/14/2012
⚠	Changed P.P.D.dimension from 1.4 to 1.7, from 2.2 to 3.17	NOV/15/2011
⚠	Changed P.P.D.dimension from 2.0 to 1.4	JUL03/2004

NO.	MODIFICATION	DATE	SCALE	1:1
General Tolerances			UNIT	MM
0 - >3	± 0.10	30 - >120	± 0.30	
3 - >6	± 0.10	120 - >400	± 0.50	
6 - >30	± 0.20	Angle: ± 3°		
			DATE	DEC. 25. 2002



The Third Angle Projection

**SHOGYO INTERNATIONAL CORP.**  
**# BH-321-2P**  
 BATTERY HOLDER