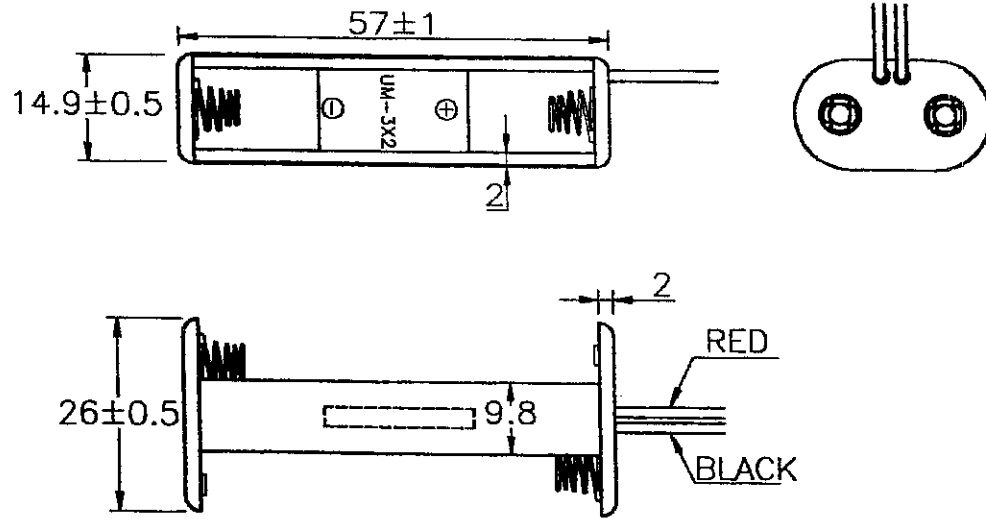
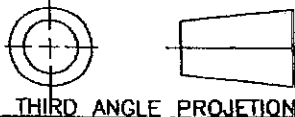


SPECIFICATION



- (1) ITEM NO.: BH-324A
- (2) WIRE: UL1007 AWG#26  
BLACK & RED 150MM $\pm$ 5MM  
STRIP & TIN 5MM $\pm$ 1MM
- (3) MATERIAL: P.P. RESIN, BLACK COLOR
- (4) SPRING: 0.65 MM 65C SPRING WIRE

3				
2				
1				
NO.	MODIFICATION	DATE	SCALE	1:1
			UNIT	MM
			MAT'L	P.P.
			DATE	99.OCT.31



**SHOGYO INTERNATIONAL CORP.**  
**# BH-324A**  
 BATTERY HOLDER