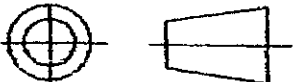


SPECIFICATION

- (1) ITEM NO: BH-483A
- (2) WIRE: UL1007 AWG#26 BLACK & RED 150MM±5MM
STRIP & TIN :4MM±1MM
- (3) MATERIAL: P.P. RESIN,BLACK COLOR
- (4) SPRING: 0.64MM 65C SPRING WIRE

| 3 | | |
|---|--------------|------|
| 2 | | |
| 1 | | |
| NO. | MODIFICATION | DATE |
|  THIRD ANGLE PROJECTION | | |

| | |
|-------|-------------|
| SCALE | 1:1 |
| UNIT | MM |
| MAT'L | PP |
| DATE | APR 20 2002 |

SHOGYO INTERNATIONAL CORP.
BH-483A
 BATTERY HOLDER