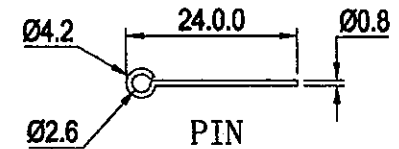
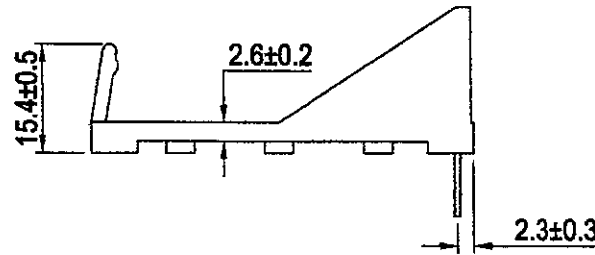
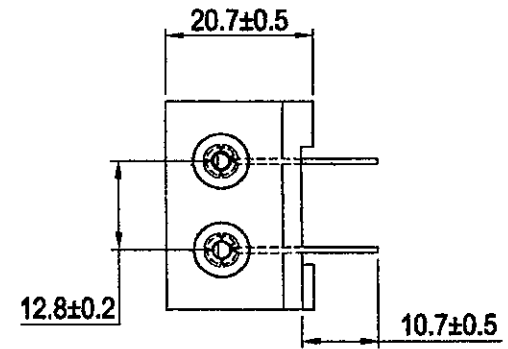
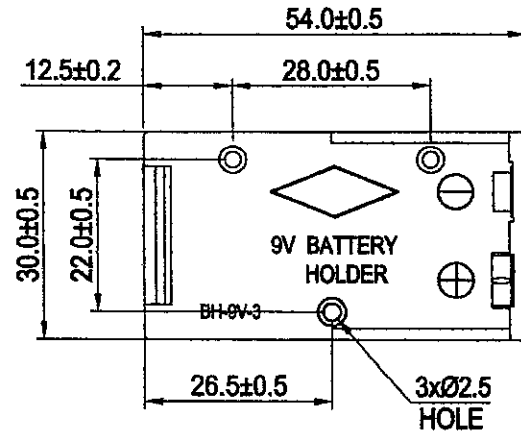


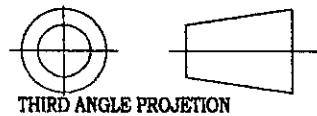
PCB/MOUNTING LAYOUT



SPECIFICATION

- (1) ITEM NO: BH-9V-3P24
- (2) HOLDER MATERIAL: ABS RESIN, BLACK COLOR
- (3) WITH PIN: Ø 0.8X24MM, BRASS NICKEL PLATED
- (4) SNAP: 6 PRONG SNAP BRASS NICKEL PLATED
- (5) RIVET: BRASS NICKEL PLATED
- (6) RoHS COMPLIANT

3		
2		
1		
NO.	MODIFICATION	DATE



SCALE	1:1
UNIT	MM
MAT'L	AS SPEC.
DATE	JUL. 13. 2007

SHOGYO INTERNATIONAL CORP.
#BH-9V-3P
 BATTERY HOLDER