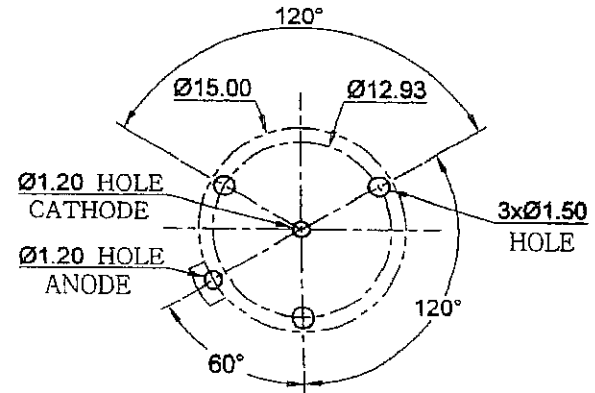


SECTION: A-A



PCB MOUNTING LAYOUT

SPECIFICATION

- (1) ITEM NO. : CH23-1220LF
- (2) HOUSING MATERIAL: PBT+30%GF UL94V0 BLACK COLOR
- (3) CONTACT MATERIAL: PHOSPHOR BRONZE 0.20MM THK  
TIN PLATED OVER NICKEL
- (4) CURRENT RATING: 2A (AC/DC)
- (5) VOLTAGE RATING: 500V (AC/DC)
- (6) CONTACT RESISTANCE: 30 MILLIOHMS
- (7) INSULATION RESISTANCE: 500 MEGAOHMS
- (8) TEMPERATURE RANGE: -55℃ TO +85℃
- (9) HUMIDITY: 40℃ AND 90~95% RH FOR 96 HOURS
- (10) RoHS COMPLIANT

3				
2				
1				
NO.	MODIFICATION	DATE	SCALE	2:1
General Tolerances			UNIT	MM
0 ~ >3	± 0.10	30 ~ >120	MAT'L	SEE SPEC.
3 ~ >6	± 0.10	120 ~ >400	DATE	MAR. 25. 2008
6 ~ >30	± 0.20	Angle: ± 3°		

<b>SHOGYO INTERNATIONAL CORP.</b>
<b>#CH23-1220LF</b>
COIN CELL HOLDER