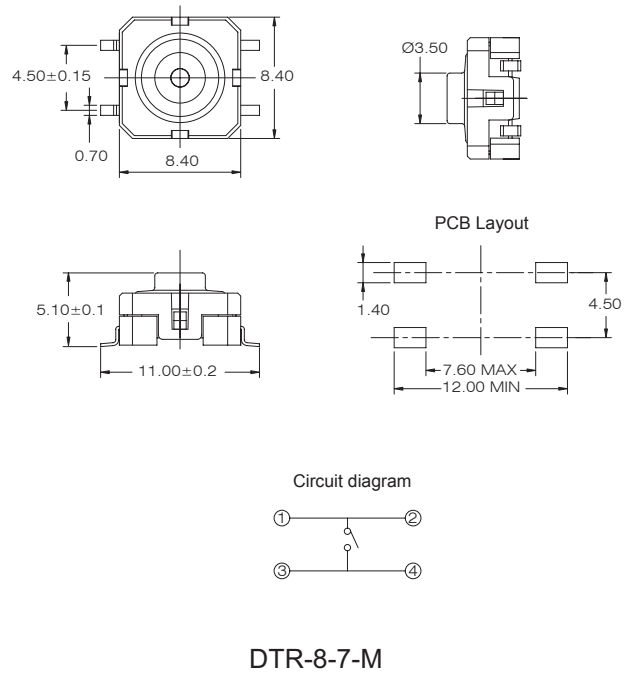
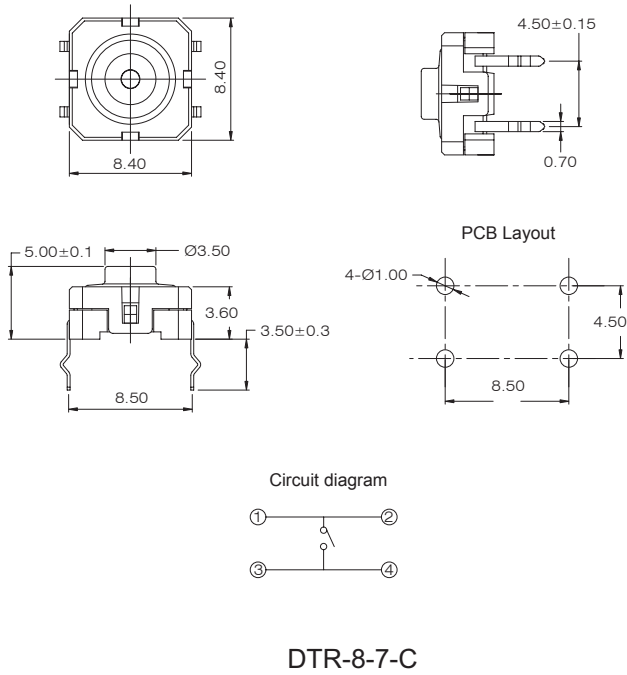


SPECIFICATIONS

CONTACT RATING: AC/DC 42 V, 100mA
 MECHANICAL LIFE: 1,000,000 cycles
 CONTACT RESISTANCE: 100mΩ max.(initial)
 INSULATION RESISTANCE: 1,000MΩ min. 100VDC
 DIELECTRIC STRENGTH: 250VAC/1 min.
 OPERATING TEMPERATURE: -40°C to +80°C



HOW TO ORDER

DTR - - - - - - - - - - RoHS code:

DUSTPROOF TACT SWITCH SIZE OPERATION FORCE HEIGHT TERMINAL CAP PACKAGE

8 = 8.4x8.4 7: 250 gf = 5.00mm = without plunger = standard: Tube

1 = 6.60mm C: P.C TYPE T1: (Total height 9.75) T/R =Tape & Reel

C1: P.C TYPE T2: (Total height 12.55) H = RoHS Compliant

M: SMT TYPE