

**SPECIFICATIONS**

CONTACT RATING: 1A @120 VAC or 28 VDC  
 ELECTRICAL LIFE:50,000 make-and-break cycles at full load  
 CONTACT RESISTANCE: 20 mΩ max. initial @2-4 VDC,100 mA  
 INSULATION RESISTANCE: 1,000 MΩ min.  
 DIELECTRIC STRENGTH: 1,000 V RMS @ sea level.  
 OPERATING TEMPERATURE: -30°C to +85°C

**MATERIALS**

CASE & BUSHING - Glass filled nylon 6/6 or nylon 4/6 (UL94V-0)  
 PLUNGER - Glass filled nylon or glass filled polyester (UL94V-0), with internal o-ring seal standard  
 SWITCH SUPPORT - Copper alloy or steel, tin plated  
 CONTACT AND TERMINAL - Copper alloy, silver plated  
 TERMINAL SEAL - Epoxy

How do you build the switches you need!!

The straight type, please see the (A);

The right angle P.C terminals, please see the (B)

(A) **N** **E** **8** **7** **0** **1** - **C** **V** **1** - **2** - **N** - **C** **Q** - **S** **2** **0** - **□**

Switches Function		Cap		Cap color		Bushing		Contact Material		RoHS code
NE8701	SPDT on-mon	none	(none)	1	white	E	Thd. Key-way 8.89	Q	silver plated	H = RoHS Compliant
NE8702	DPDT on-mon	CV	5.08	2	black	N	Non-thd/key-way 6.35	R	gold plated	
		CV1	7.70	3	red			G	gold over silver	
		CV2	9.53	4	orange	Termination				
		CV4	dress nut	5	yellow	B	solder lug	Vertical support Bracket		
		CV6	9.80	6	green	C	P.C 1.27width	(none)		
				7	blue			S20	11.68	
				9	gray			V20	snap-in 11.68	

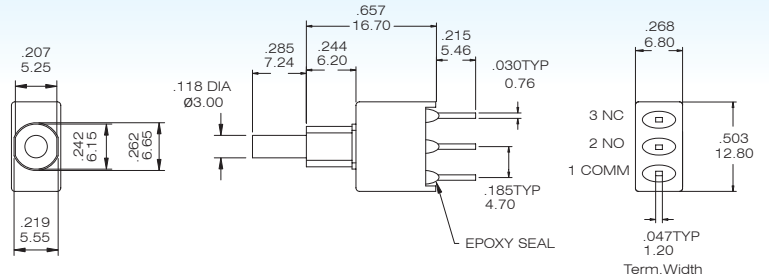
(B) **N** **E** **8** **7** **0** **1** - **A** **4** - **C** **V** **1** - **2** - **N** - **Q** - **□**

Switches Function		Right Angle		Cap		Cap color		Bushing		RoHS code
NE8701	SPDT on-mon	A4	Horizon	none	(none)	1	white	N	(Std.) non-thd/key-way	H = RoHS Compliant
NE8702	DPDT on-mon	A5	Vertical	CV	5.08	2	black	Contact Material		
				CV1	7.70	3	red	Q	silver plated	
				CV2	9.53	4	orange	R	gold plated	
				CV6	9.80	5	yellow	G	gold over silver	
						6	green			
						7	blue			
						9	gray			



SPDT

Model No.	Switching position	
NE8701	on	mom
Term. Comm.	1-3	1-2

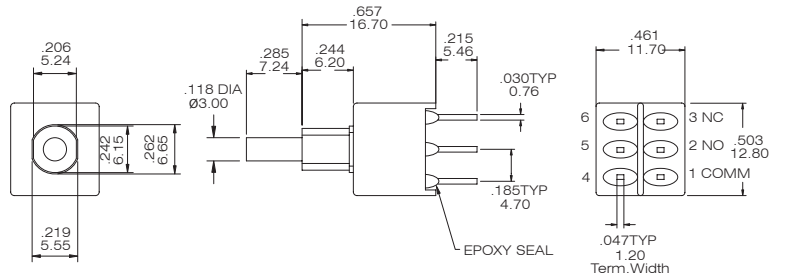


NE8701-NCQ



DPDT

Model No.	Switching position	
NE8702	on	mom
Term. Comm.	1-3 4-6	1-2 4-5

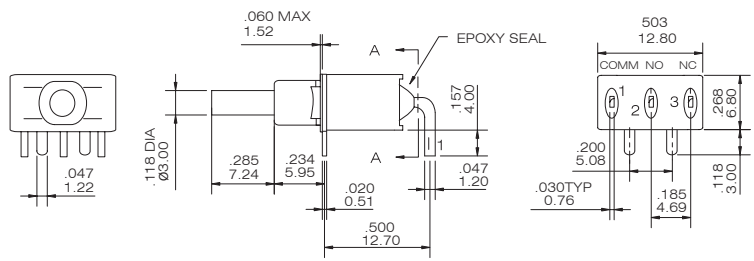


NE8702-NCQ



SPDT

Model No.	Switching position	
NE8701-A4	on	mom
Term. Comm.	1-3	1-2

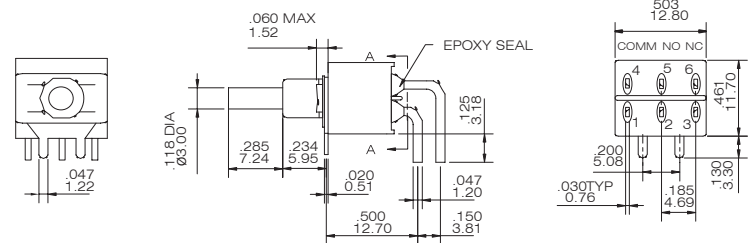
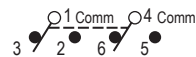


NE8701-A4-NQ

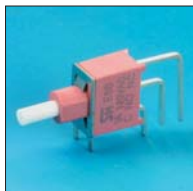


DPDT

Model No.	Switching position	
NE8702-A4	on	mom
Term. Comm.	1-3 4-6	2-2 4-5

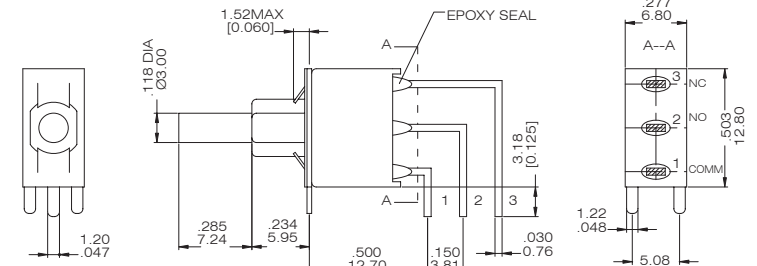


NE8702-A4-NQ

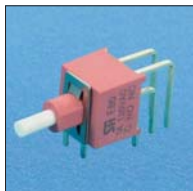


SPDT

Model No.	Switching position	
NE8701-A5	on	mom
Term. Comm.	1-3	1-2

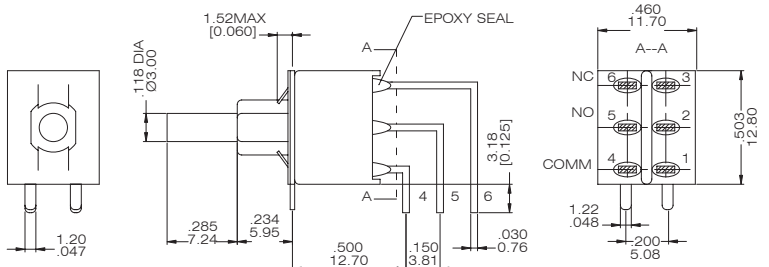


NE8701-A5-NQ



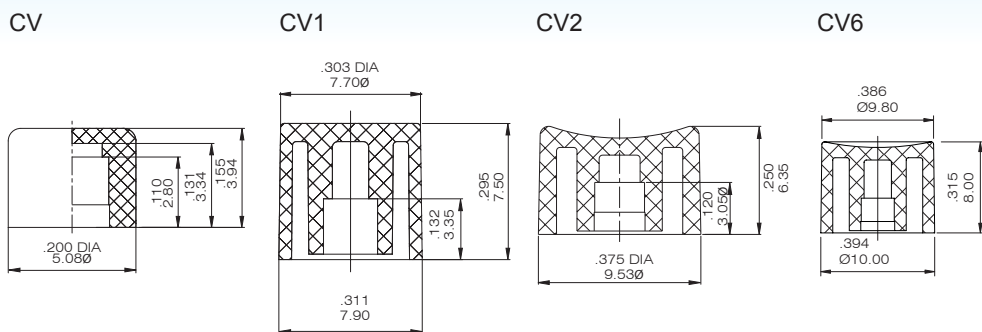
DPDT

Model No.	Switching position	
NE8702-A5	on	mom
Term. Comm.	1-3 4-6	2-2 4-5



NE8702-A5-NQ

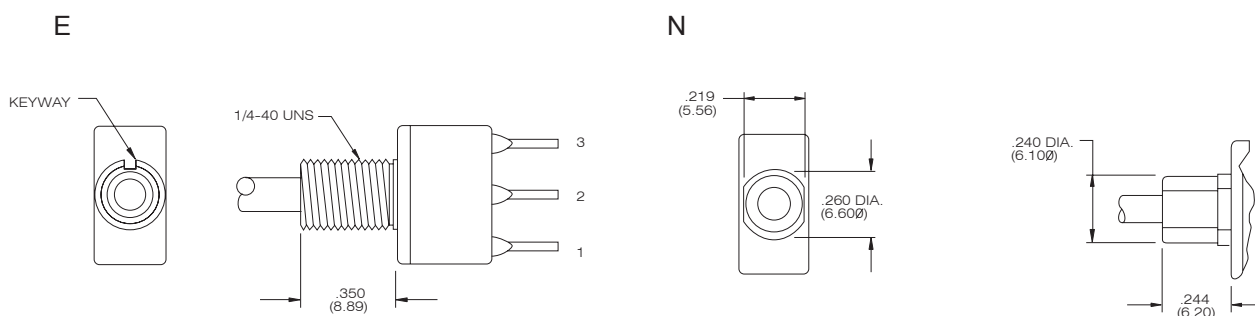
Cap Option



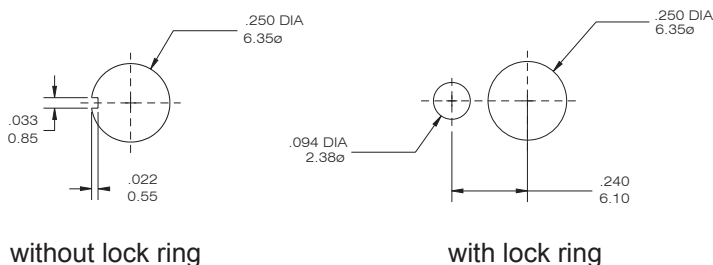
Cap color Option

CAP & ACTUATOR OPTIONS	
1	White
2	Black(Std.)
3	Red
4	Orange
5	Yellow
6	Green
7	Blue
9	Gray

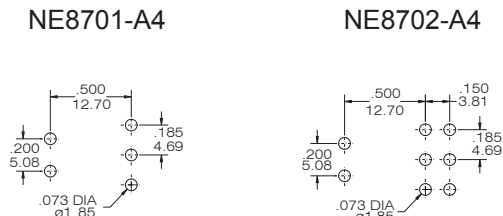
Bushing Option



Panel mounting Dimension



P.C.B. mounting Dimension

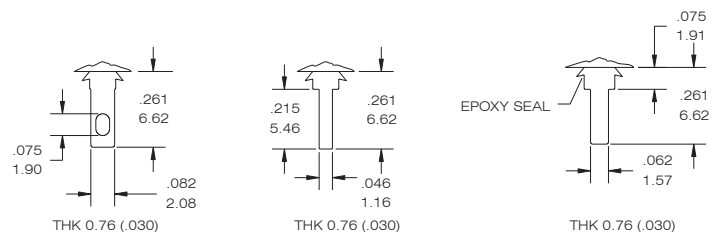


TERMINAL OPTION (only for the straight type)

B STD

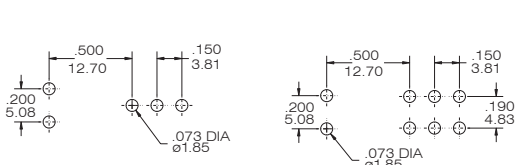
C PRINTED CIRCUIT

D QUICK CONNECT



NE8701-A5

NE8702-A5



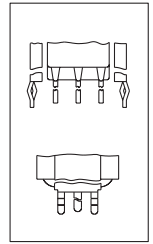
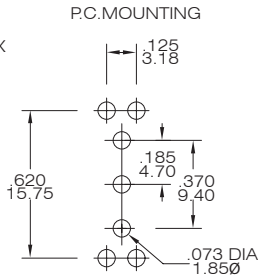
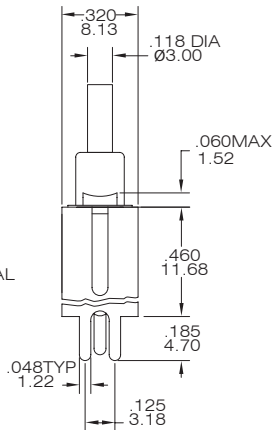
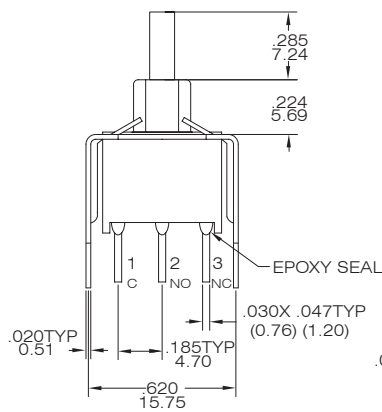
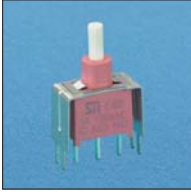
CONTACT MATERIAL OPTION

CODE	CONTACT MATERIAL	TERMINAL MATERIAL	RATING
Q	Silver plated	Silver plated	1A @ 120V AC or 28 V DC;
R	Gold plated over nickel plated	Gold plated over nickel plated	0.4 VA MAX@ 20V AC or DC MAX
G	Gold plated over silver plated	Gold plated over silver plated	0.4 VA MAX @ 20 V AC or DC MAX or 1 A @ 120V AC or 28 V DC;

**VERTICAL SUPPORT BRACKET OPTION**

(only apply the straight type terminal. Please build the terminal option is "C" code)

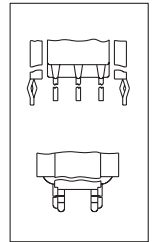
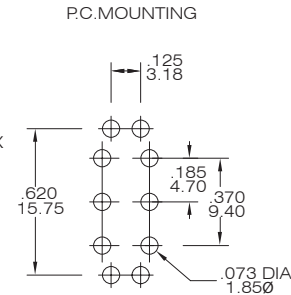
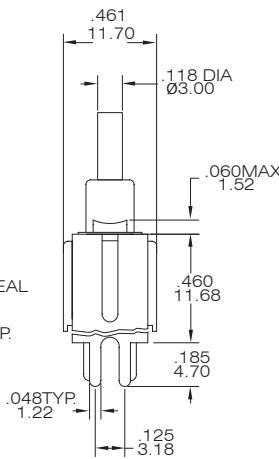
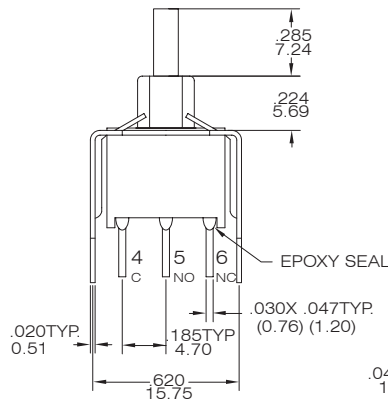
**S20/V20 (SPDT)**



SNAP-IN V 20

NE8701-NCQ-S20

**S20/V20 (DPDT)**

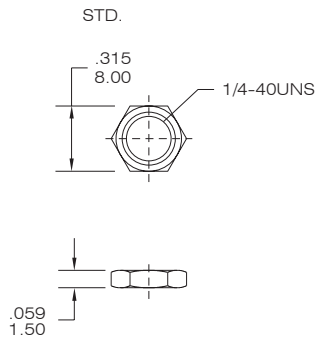


SNAP-IN V 20

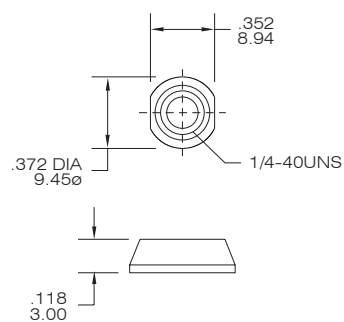
NE8702-NCQ-S20

**The hard ware of E80-P push button switches**

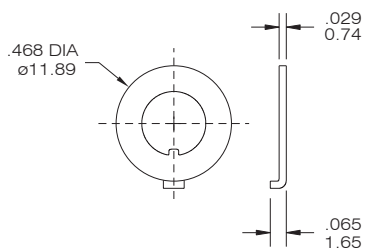
**NUT**



**DRESS NUT**



**LOCKING RING**



**LOCK WASHER**

