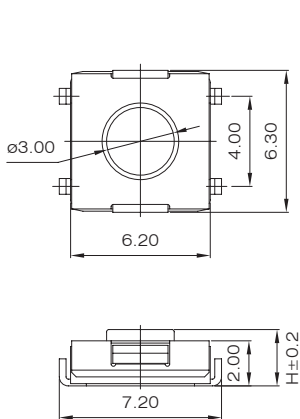


SPECIFICATIONS

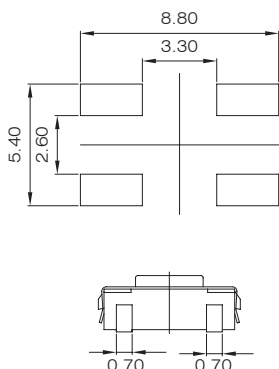
RATING: 50mA, 12VDC
 ELECTRICAL LIFE: 1,000,000 cycles
 CONTACT RESISTANCE: 100mΩ max
 INSULATION RESISTANCE: 100MΩ min. 500VDC
 DIELECTRIC STRENGTH: 250VAC/1 min
 OPERATION FORCE: 100gf, 160gf, 260gf

DIMENSIONS

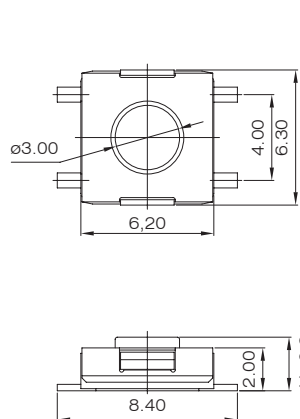
ELTSL-6



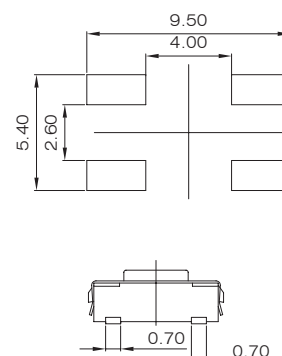
P.C.B. LAYOUT



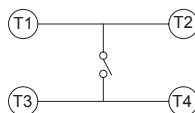
ELTSF-6



P.C.B. LAYOUT



CIRCUIT



HOW TO ORDER

ELTS - 6 - -

Prod. Series = Without ground terminal
 G = with ground terminal

Terminal style
 L = With L S.M.T
 F = With F S.M.T

Total Height H
 0 = 2.0mm
 1 = 2.5mm
 2 = 3.1mm

Color Of Stem For Operating Force
 K = black, 100g
 N = brown, 160g
 R = red, 260g

H = RoHS Compliant
 Package Style
 = bulk
 T/R= Tape & Reel
 B = Tube

INDEX
TOGGLE
ROCKER
SLIDE
PUSH BUTTON
DIP
TACT