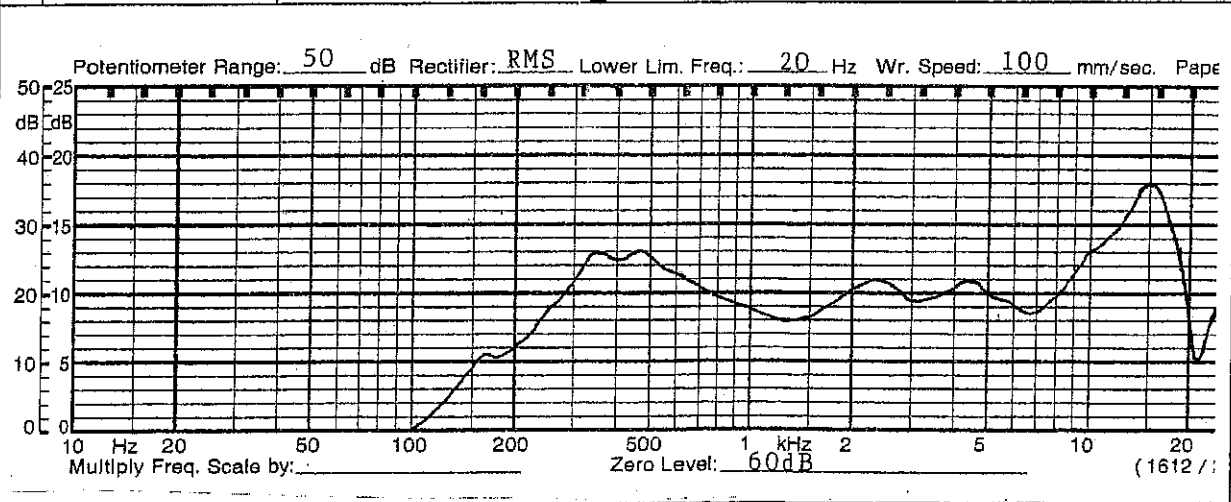
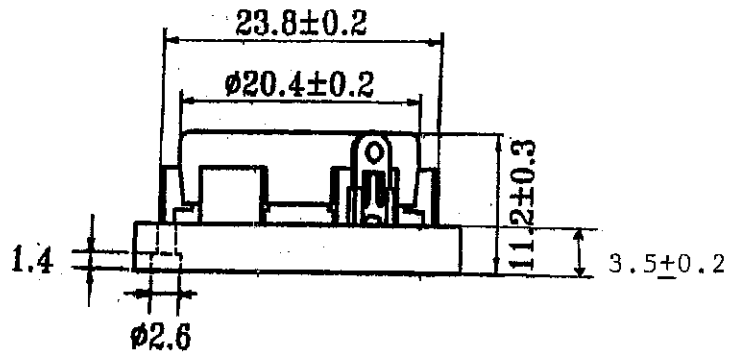
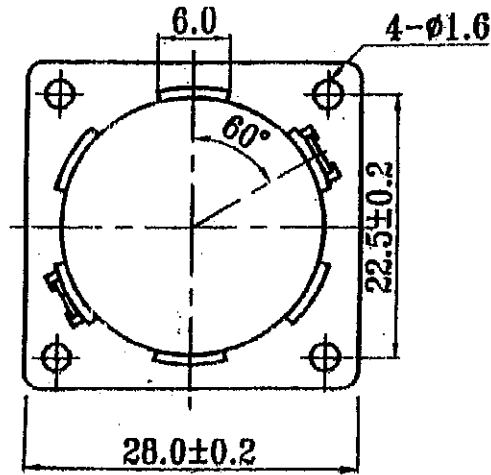


客 戶 CUSTOMER'S NAME		承	認	審	核	製	作
名 稱	客戶機種名稱 CUSTOMER'S NO.						
MODEL	本廠機種名稱 OUR MODEL NO. <b>GC0281KLX (ROHS)</b>						
1	口 徑 NOMINAL SIZE	<b>28 x 28 x 11.2H</b> mm.		inch.			
2	公稱阻抗 IMPEDANCE	<b>8 Ω ± 15%</b>		at.	<b>1K</b> Hz.	<b>1</b>	V.
3	最低共振週波數 RESONANCE FO	<b>310 Hz ± 62 Hz.</b>		FO	Hz.	<b>1</b>	V.
4	出力音壓 S.P. LEVEL	<b>82 dB/w ± 3 dB</b>		1 w 50 cm average at			
5	出力音壓週波數特性 RESPONSE	Fo Hz~	<b>20K</b> Hz	MAX	10 dB		
6	交叉週波數 CROSSOVER FREQ.	Hz	Hz	dB/OCT		Net work	
7	許容入力 INPUT POWER	定格入力 Nominal input	<b>2</b> w.	最大入力 Handling Capacity	<b>4</b> w.		
8	動 作 OPERATION	Must be normal at program source		<b>2</b> w.			
9	聲音異常 BUZZ, RATTLE, ETC.	Must be normal at Since Wave		<b>4</b> V.			
10	磁束密度 FLUX DENSITY	Gauss ± 10%					
11	總磁束 TOTAL FLUX	Max well min					
12	磁 鐵 MAGNET	Size	<b>14.7 x 3.0</b> mm	gr	oz		
13	重 量 TOTAL WEIGHT			gr	oz		
14	連續負荷 LOAD TEST	After test meet Item 8 and 9	White noise	<b>2</b> W.	<b>24</b>	Hours	
15	失真率 DISTORTION	以 內 % MAX		Hz	W.		
16	耐熱性 HEAT TEST	After test meet Item 8 and 9	<b>65 ± 2</b> °C	<b>20-50</b>	%R. H	<b>24</b> Hours	
17	耐濕性 HUMIDITY TEST	After test meet Item 8 and 9	<b>40 ± 2</b> °C	<b>90-95</b>	%R. H	<b>24</b> Hours	



**SHOGYO INTERNATIONAL CORP.**  
6851 JERICHO TURNPIKE, SYOSSET, N.Y. 11791  
TEL: (516) 921-9111 • FAX: (516) 921-3777  
www.shogyo.com



APPROVED	CHECKED	DRAWING	CUSTOMER'S PART NO.
			GC0281KLX



**SHOGYO INTERNATIONAL CORP.**  
 6851 JERICHO TURNPIKE, SYOSSET, N.Y. 11791  
 TEL: (516) 921-9111 • FAX: (516) 921-3777  
[www.shogyo.com](http://www.shogyo.com)