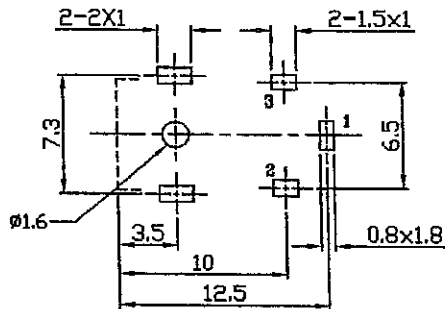
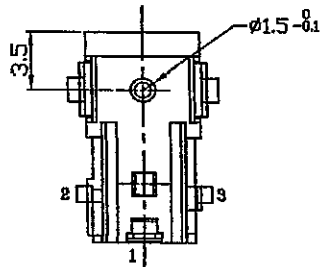
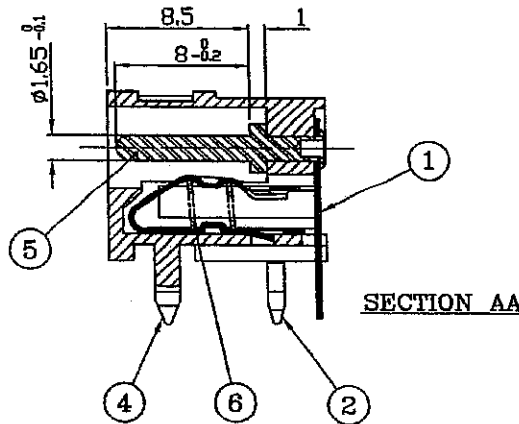


**CIRCUIT DIAGRAM**



**PC BOARD HOLE LAYOUT (TOLS: ±0.1)  
(BOTTOM VIEW OF PC BOARD)**



**SECTION AA**

7	JACK CASING	1	PC RESIN	
6	SPRING	1	MUSIC WIRE	HEAT-TREATED
6	PIN	1	BRASS	Ni-PLATED
4	SNAPPING TERMINAL	1	BRASS	0.3t Ni-PLATED
3	TIP SPRING	1	PBs	0.25t Ag-PLATED
2	FIXED TERMINAL	1	BRASS	0.3t Ag-PLATED
1	EARTH TERMINAL	1	BRASS	0.3t Ag-PLATED
LET	PART NAME	QTY	MATERIAL	REMARK

**TOLERANCES**

X ≤ 5 = ±0.10

X > 5 = ±0.30

ANGULAR = ± ---

DO NOT SCALE DWG.

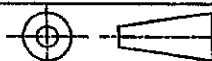
FINISHED

MATL

AS SHOWN IN TABLE

DATE

16-06-2006



SCALE

5/2 mm

DRN / APPD.

**SHOGYO INTERNATIONAL CORP.**

#M04-440A0

DC JACK