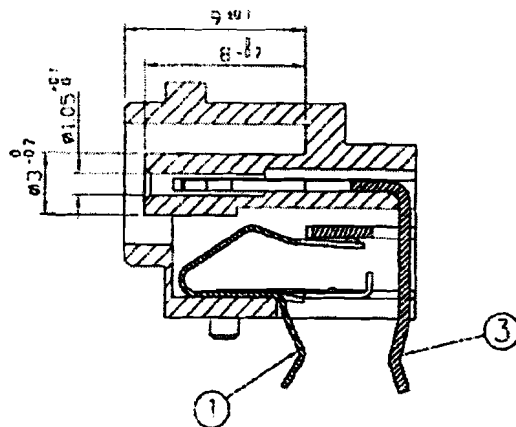
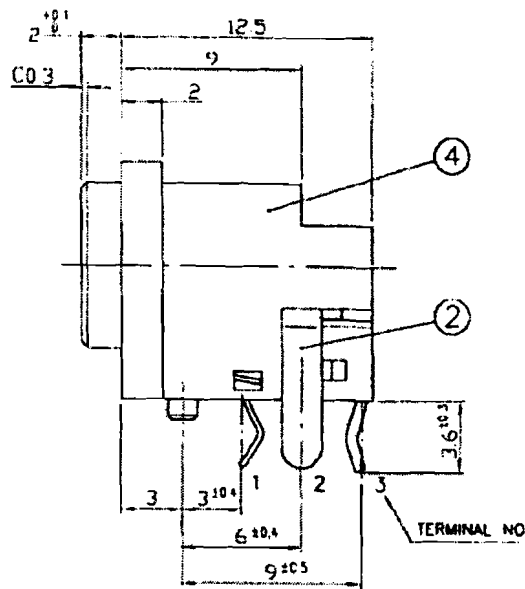
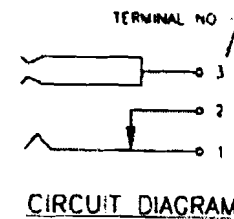
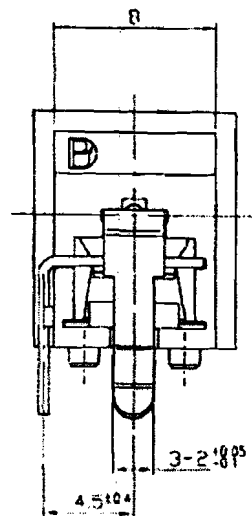


PC BOARD HOLE LAYOUT

(VIEW FROM DIRECTION OF INSERTION TO PCB)



SECTION AA



CIRCUIT DIAGRAM

TOLERANCES	
X ≤ 5	± 0.10
X > 5	± 0.30
ANGULAR	± ---
DO NOT SCALE DWG.	
FINISHED	

MATL	AS SHOWN IN TABLE	SCALE	3/1 mm
DATE	2002-06-28	DRN / APPD	CXD / K.F IM

4	JACK CASING	1	PBT/GF RESIN UL94V-0	
3	EARTH TERMINAL	1	BRASS 0.53t	Ag-PLATED
2	FIXED TERMINAL	1	BRASS 0.5t	Ag-PLATED
1	TIP SPRING	1	COPPER ALLOY 0.25t	Ag-PLATED
LET	PART NAME	QTY	MATERIAL	REMARK

SHOGYO INTERNATIONAL CORP.
M04-480DJ