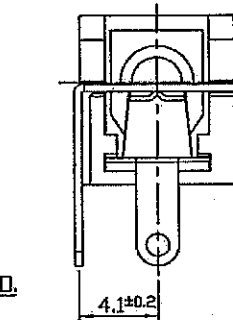
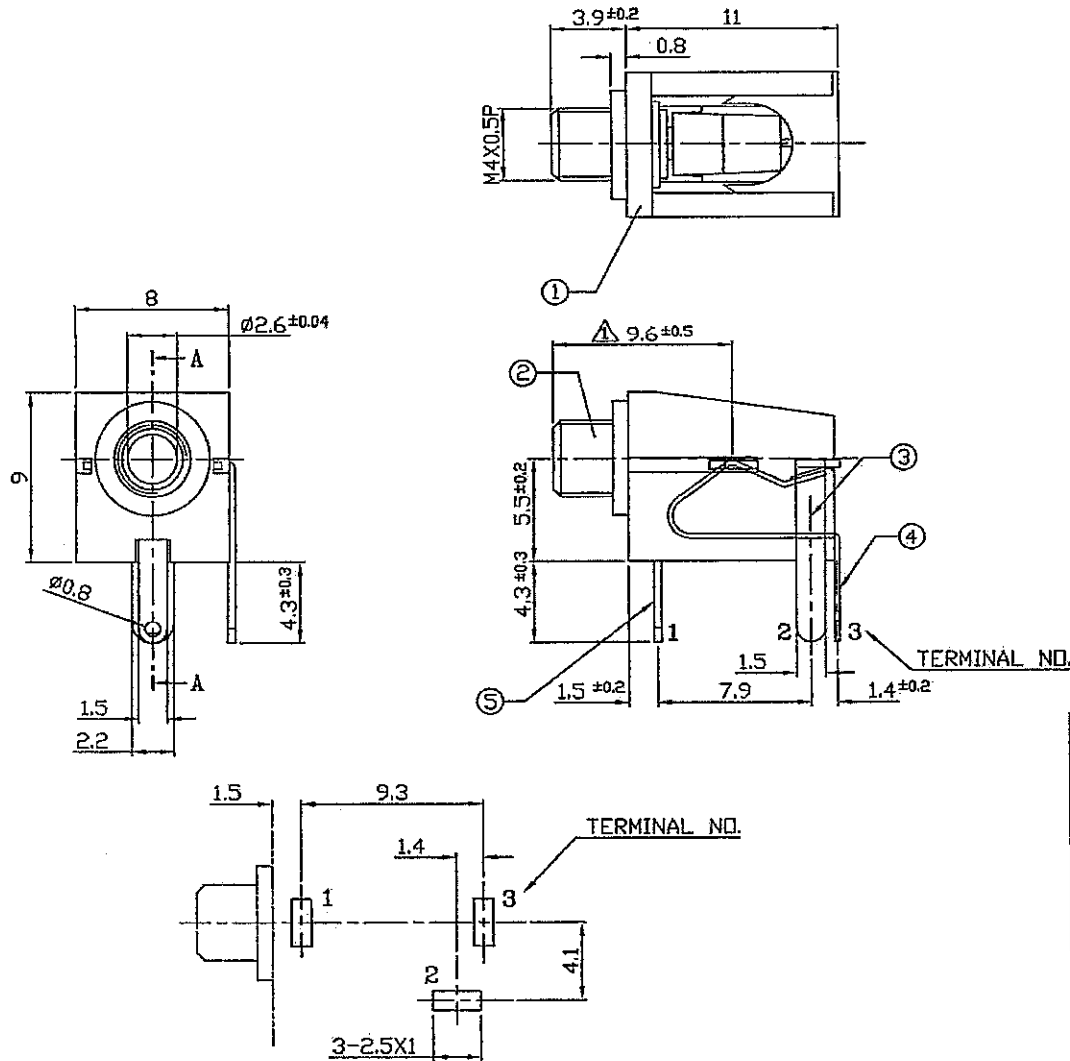


REVISION			
LTR	DESCRIPTION	DATE	APPROVED
△	Add dimension "9.6±0.5"	20.02.2009	K.F.IM



5	EARTH TERMINAL	1	BRASS	0.4t	Ag-PLATED
4	TIP SPRING	1	COPPER ALLOY	0.25t	Ag-PLATED
3	SHUNT TERMINAL	1	BRASS	0.4t	Ag-PLATED
2	BUSHING	1	BRASS		Ni-PLATED
1	JACK CASING	1	PC RESIN		BLACK
LET	PART NAME	QTY	MATERIAL		REMARK

PCB Hole Layout (Tolerance: ±0.1)
(Upper View From the Direction of Insertion to PCB)

TOLERANCES	PART NAME		
X ≤ 5 = ±0.10	Ø2.5 EARPHONE JACK		
X > 5 = ±0.30	MATL		SCALE
ANGULAR = ±2°	AS SHOWN IN TABLE		3/1 mm
DO NOT SCALE DWG.	DATE		DRN / APPD.
FINISHED	28-12-2005		DANNY/K.F.IM
POLISHED			

SHOGYO INTERNATIONAL CORP.
#MJ-147D