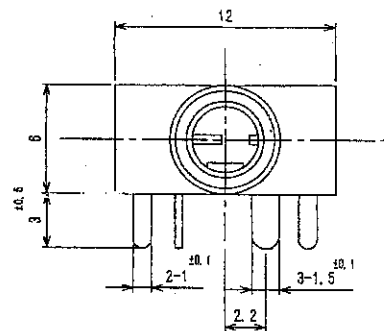
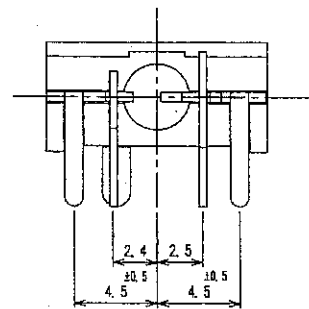
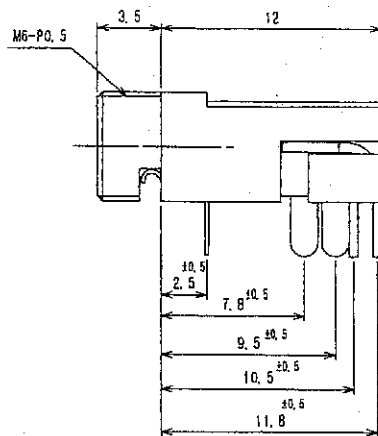


SPECIFICATION

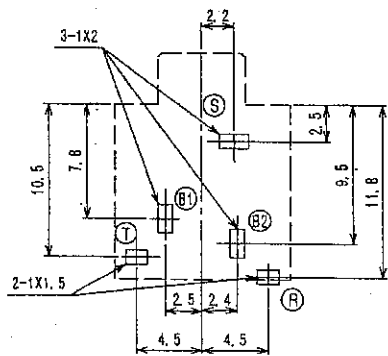
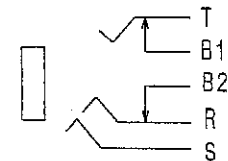
1. WITHSTAND VOLTAGE : 500V AC FOR 1 MINUTE.
2. INSULATION RESISTANCE : 100MΩ MIN. AT 500V DC.
3. CONTACT RESISTANCE : 50mΩMAX



HOLE LAYOUT
(BOTTOM VIEW)



SCHEMATIC



8	NUT	BRASS	1	NI		TOLERANCE	SCALE	DATE	DESIG	DRAW	INSPE	APRO
7	BREAK-SHUNT SPRING B (B2)	BRASS t=0.4	1	Ag		±0.3	4/1	06/5/25		N. I		
6	RING SPRING (R)	PBS t=0.5	1	Ag								
5	BREAK-SHUNT SPRING A (B1)	BRASS t=0.4	1	Ag		MODEL		QTY	PART NAME			
4	TIP SPRING (T)	PBS t=0.5	1	Ag		型式			品名			
3	SLEEVE SPRING (S)	FAB t=0.2	1	Ag		MATERIAL				DRAW NO		
2	BODY	PBT	1			材質				図番		
1	SLEEVE METAL	BRASS	1	NI								
LET	PART NAME	MATERIAL	QTY	FINISH	NOTE							

SHOGYO INTERNATIONAL CORP.

MJ-158L-5

3.5 mm Audio Jack