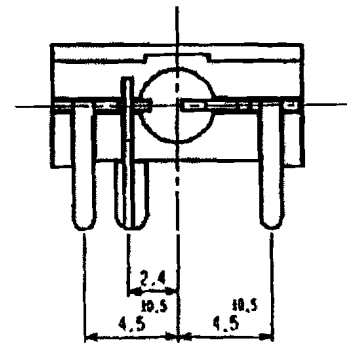
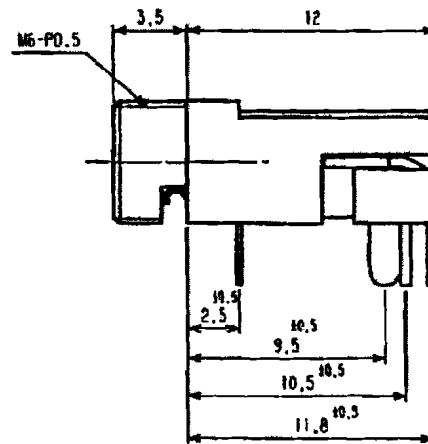
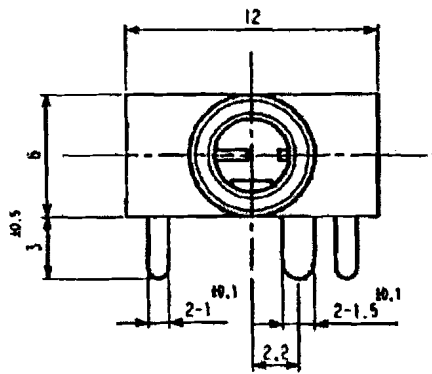
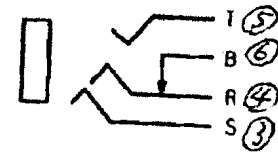


SPECIFICATION

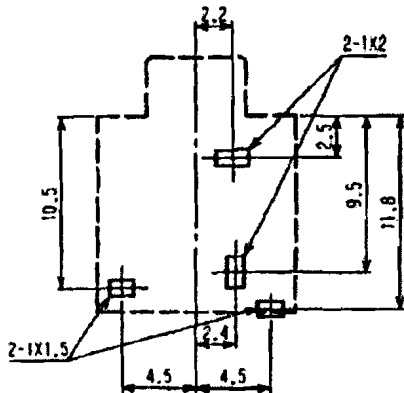
- 1. WITHSTAND VOLTAGE : 500V AC FOR 1 MINUTE.
- 2. INSULATION RESISTANCE : 100MΩ MIN. AT 500V DC.
- 3. CONTACT RESISTANCE : 50mΩ MAX



SCHEMATIC



HOLE LAYOUT  
(BOTTOM VIEW)



\*\*\*DURANEX CN7015BB - WINTECH POLYMER LTD.  
UL FILE NO. E90350 94V-0

7	WASHER	FAB	t=0.2	1	NI	
6	BREAK-SHUNT SPRING	BRASS	t=0.4	1	Ag	
5	TIP SPRING	PBS	t=0.5	1	Ag	
4	RING SPRING	PBS	t=0.5	1	Ag	
3	SLEEVE SPRING	FAB	t=0.2	1	Ag	
2	BODY	PBT		1		***
1	SLEEVE METAL	BRASS		1	NI	
LET	PART NAME	MATERIAL	QTY	FINISH	NOTE	

TOLERANCE	SCALE	DATE
±0.3	4/1	99/5/20

**SHOGYO INTERNATIONAL CORP.**

**# MJ-158L**