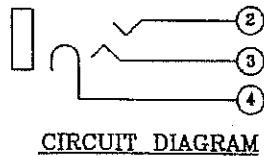
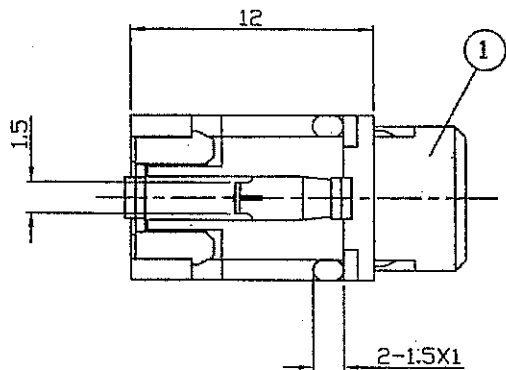


PC BOARD HOLE LAYOUT



4	EARTH TERMINAL	1	BRASS	0.5t	Ag-PLATED
3	RING SPRING #3	1	BRASS	0.5t	Ag-PLATED
2	TIP SPRING #2	1	COPPER ALLOY	0.25t	Ag-PLATED
1	JACK BODY	1	PC-RESIN Δ PBT/GF RESIN		SEE TABLE
LET	PART NAME	QTY	MATERIAL		REMARK

TOLERANCES			
X ≤ 5	= ± 0.10		
X > 5	= ± 0.30		
ANGULAR	= ± ---		
DO NOT SCALE DWG.			
MATL		SCALE	
AS SHOWN IN TABLE		3/1 mm	
DATE		DRN / APPD.	
06-06-2006		Y.H.TSANG/ K.F.IM	

SHOGYO INTERNATIONAL CORP.

MJ-1635

3.5 mm Audio Jack