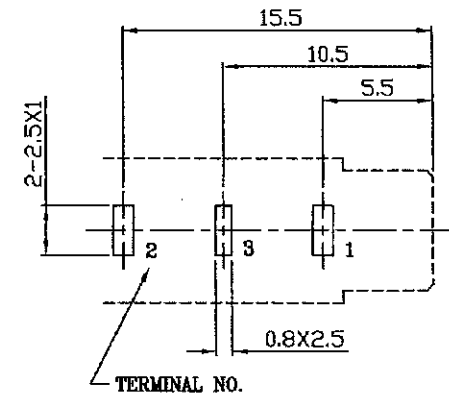
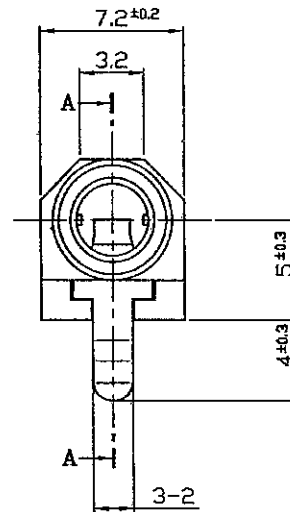
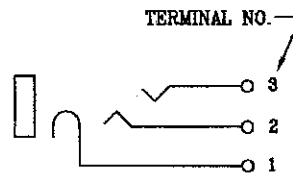
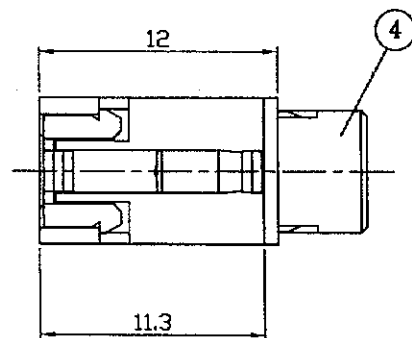


SECTION AA



PC BOARD HOLE LAYOUT



CIRCUIT DIAGRAM

LET	PART NAME	QTY	MATERIAL	REMARK
4	JACK BODY	1	PBT/GF RESIN	BLACK
3	TIP SPRING	1	COPPER ALLOY 0.25t	Ag-PLATED
2	RING SPRING	1	BRASS 0.5t	Ag-PLATED
1	EARTH TERMINAL	1	BRASS 0.5t	Ag-PLATED

TOLERANCES			
X ≤ 5	= ± 0.10	MATL	SCALE
X > 5	= ± 0.30	AS SHOWN IN TABLE	3/1 mm
ANGULAR	= ± ---	DATE	DRN / APPD
DO NOT SCALE DWG.		23-09-2008	Y.H.TSANG / K.F.IM

SHOGYO INTERNATIONAL CORP.

MJ-1835

3.5 mm Audio Jack