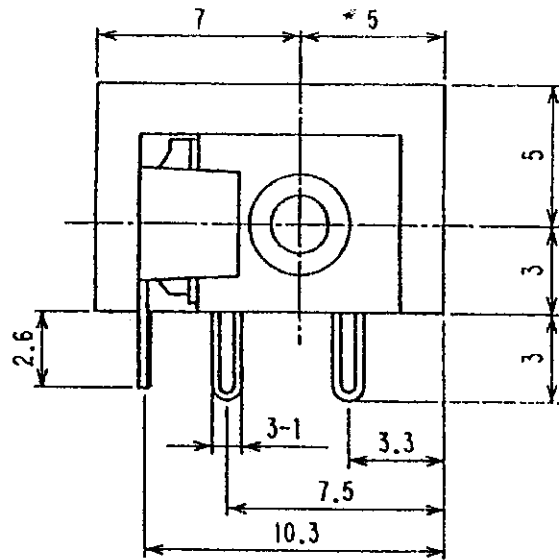


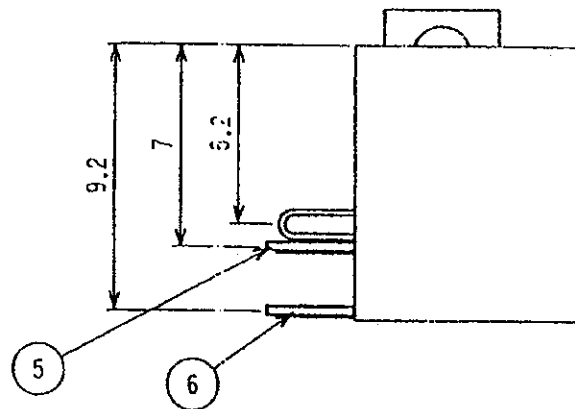
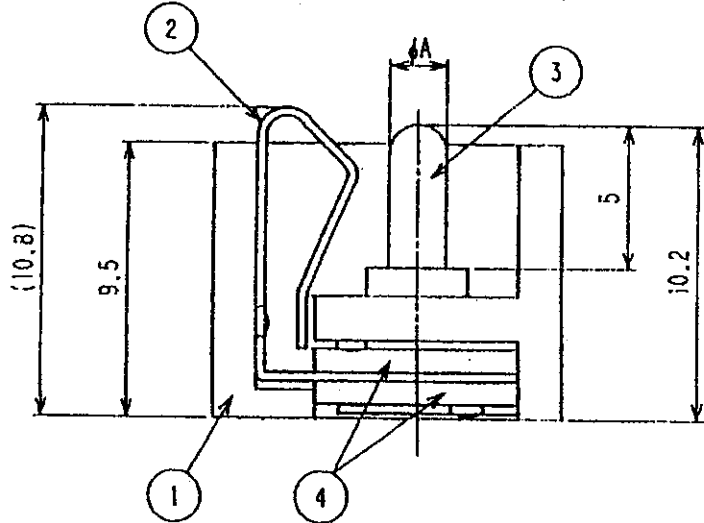
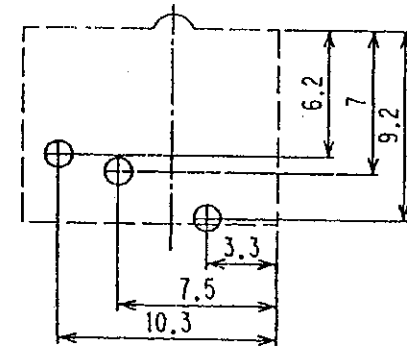
SPECIFICATIONS

1. RATING: 12V DC 1A
2. CONTACT RESISTANCE: 30mΩ MAX.
3. DIELECTRIC STRENGTH: 500V AC FOR 1MINUTF.
4. INSULATION RESISTANCE: 100MΩ MIN. 500V DC.



	ϕA
MJ196P	$\phi 1.9 \pm 0.05$

HOLE LAYOUT
(BOTTOM VIEW)



LET	PART NAME	MATERIAL	QTY	FINISH	NOTE	TOLERANCE	SCALE	DATE
6	TERMINAL C	BSR	1	Ag		±0.3	4/1	4/1/17
5	TERMINAL B	BSR	1	Ag				
4	INSULATOR	PF	2					
3	CENTER PIN	BSBM	1	NI				
2	TERMINAL A	FAB-EH	1	Ag				
1	BODY	PBT	1					

SHOGYO INTERNATIONAL CORP.

MJ-196P