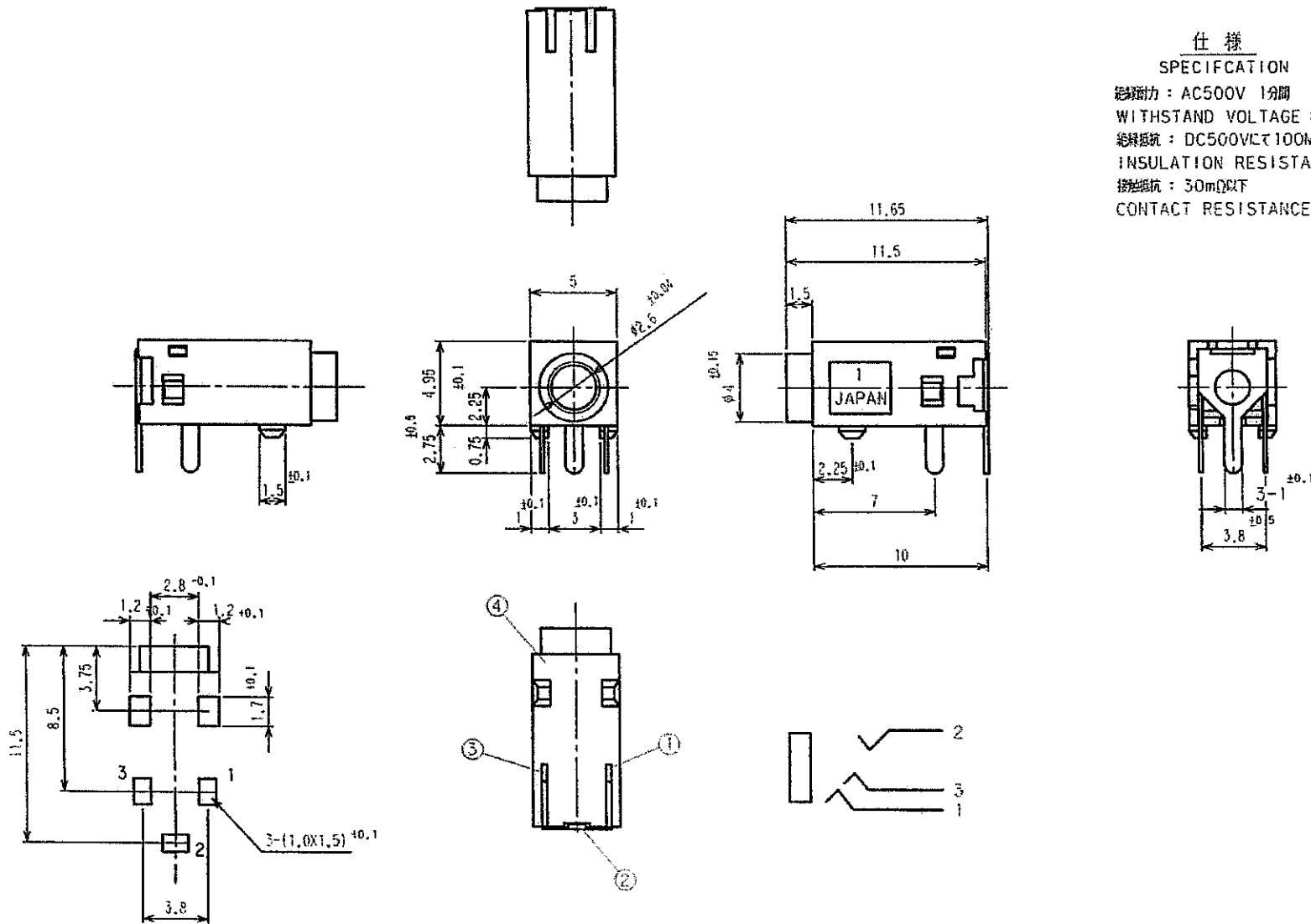


仕様

SPECIFICATION

絶縁耐力 : AC500V 1分間  
 WITHSTAND VOLTAGE : 500V AC FOR 1MINUTE  
 絶縁抵抗 : DC500V以下 100MΩ以上  
 INSULATION RESISTANCE : 100MΩMIN  
 接触抵抗 : 30mΩ以下  
 CONTACT RESISTANCE : 30mΩMAX



(1.0 フォトリソ基板参考図  
 (公差±0.1、銅面露みあり。))

TOLERANCE	SCALE	DATE
±0.3	4/1	05/02/25

LET	PART NAME	MATERIAL	QTY	FINISH	NOTE
4	HOUSING	PBT-G30%	1		BLACK UL94HB
3	TERMINAL R	FAB t=0.2	1	Sn	
2	TERMINAL T	FAB t=0.3	1	Sn	
1	TERMINAL S	FAB t=0.2	1	Sn	

**SHOGYO INTERNATIONAL CORP.**  
 # MJ2-348B0