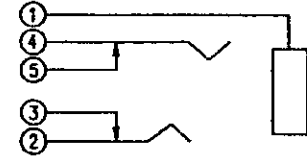
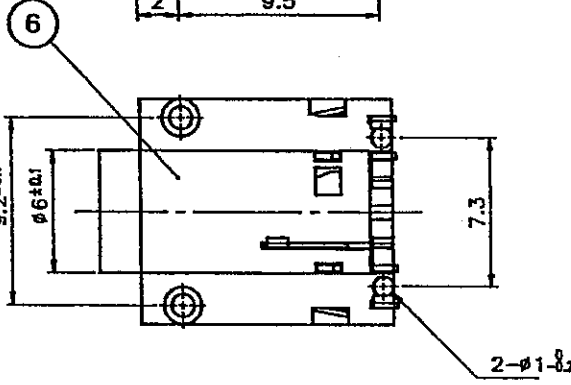
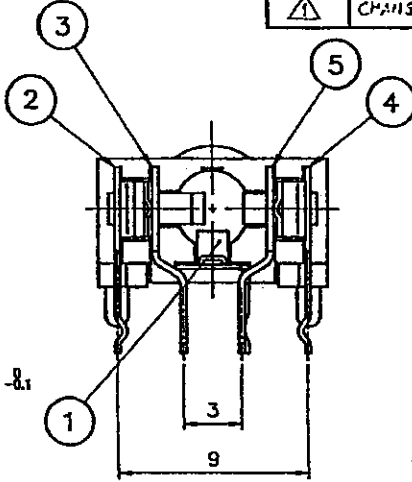
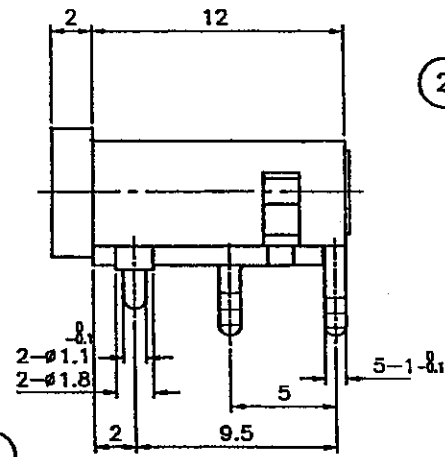
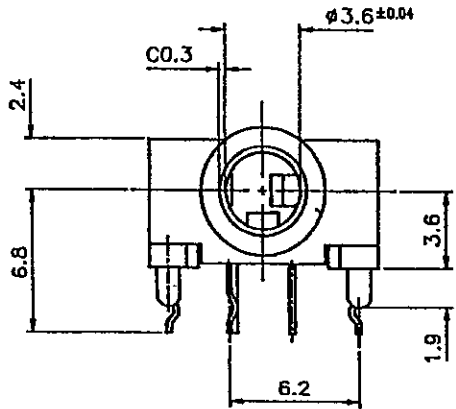
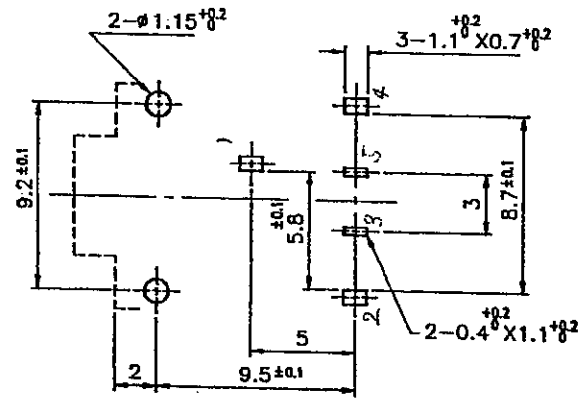


REVISION			
LTR	DESCRIPTION	DATE	APPROVED
△	CHANGED MODEL NO.	25-5-98	K.F.IM



CIRCUIT DIAGRAM



PC BOARD HOLE LAYOUT
(VIEW FROM DIRECTION OF INSERTION TO PCB)

TOLERANCES
 X ≤ 5 = ±0.10
 X > 5 = ±0.30
 ANGULAR = ± ---
 DO NOT SCALE DWG.
 FINISHED

MATL	AS SHOWN IN TABLE	SCALE	3/1 mm
DATE	13-9-96	DRN	K.F.IM

LET	PART NAME	QTY	MATERIAL	REMARK
6	JACK CASING	1	PC RESIN	SEE TABLE
5	FIXED TERMINAL A	1	BRASS 0.3t	Ag-PLATED
4	TIP SPRING A	1	TSB-SH 0.25t	Ag-PLATED
3	FIXED TERMINAL B	1	BRASS 0.3t	Ag-PLATED
2	TIP SPRING B	1	TSB-SH 0.25t	Ag-PLATED
1	EARTH TERMINAL	1	PB _s 0.2t	Ag-PLATED

SHOGYO INTERNATIONAL CORP.
MJ-2035
 3.5 STEREO EARPHONE JACK