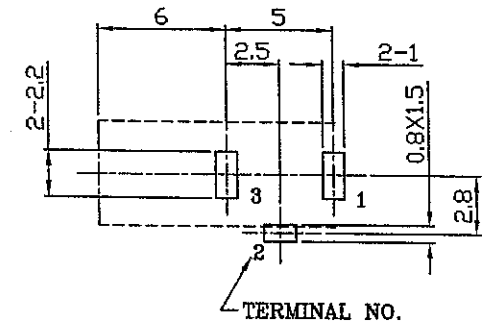
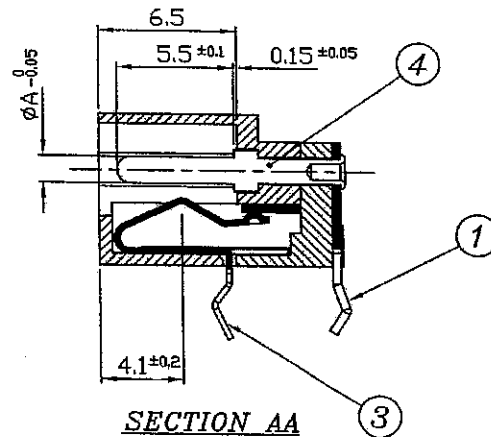
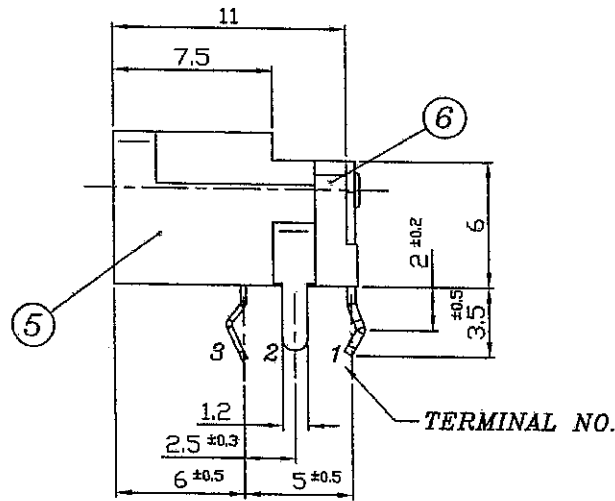
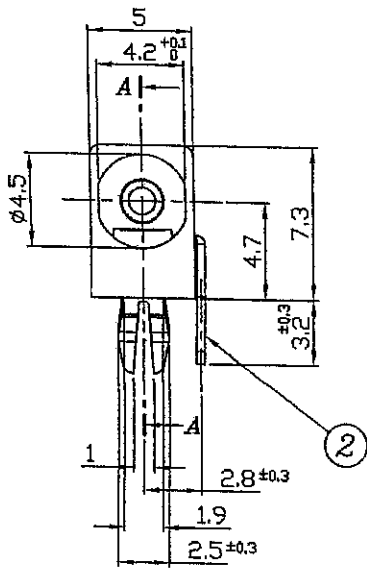


RATING: DC 6V 0.5A
 INSULATION RESISTANCE: DC 500V / 100MΩ MIN.
 WITHSTAND VOLTAGE: AC 250V 1MINUTE.
 INSERTION FORCE: 3.92~19.62N
 EXTRACTION FORCE: NOT LESS THAN 3.92N

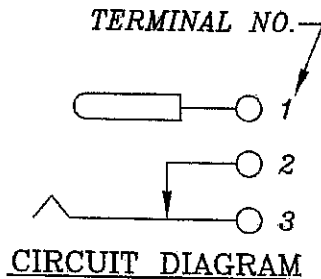


PC BOARD HOLE LAYOUT TOLS: ±0.1
 (UPPER VIEW FROM THE DIRECTION OF INSERTION TO PCB.)

TABLE FOR PIN

MODEL NO	DIA φA
MJ-25N1	1.3

LET	PART NAME	QTY	MATERIAL	REMARK
6	BACK COVER	1	PA66/CF RESIN	BLACK
5	JACK CASING	1	PBT/CF RESIN	BLACK
4	PIN	1	BRASS	Ni-PLATED
3	TIP SPRING	1	COPPER ALLOY 0.25t	Ag-PLATED
2	SHUNT TERMINAL	1	BRASS	0.4t Ag-PLATED
1	EARTH TERMINAL	1	BRASS	0.4t Ag-PLATED



TOLERANCES
 X ≤ 5 = ± 0.10
 X > 5 = ± 0.30
 ANGULAR = ± ---
 DO NOT SCALE DWG.

MATL AS SHOWN IN TABLE	SCALE 3/1 mm
DATE	DRN / APPD.

SHOGYO INTERNATIONAL CORP.
 #MJ-25N1
 DC JACK