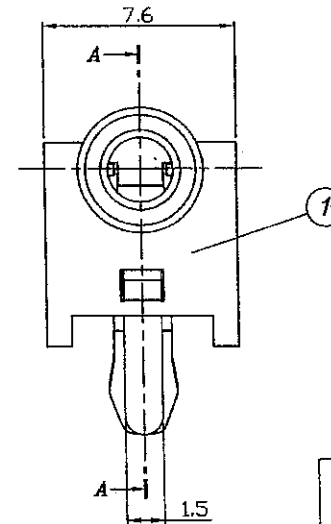
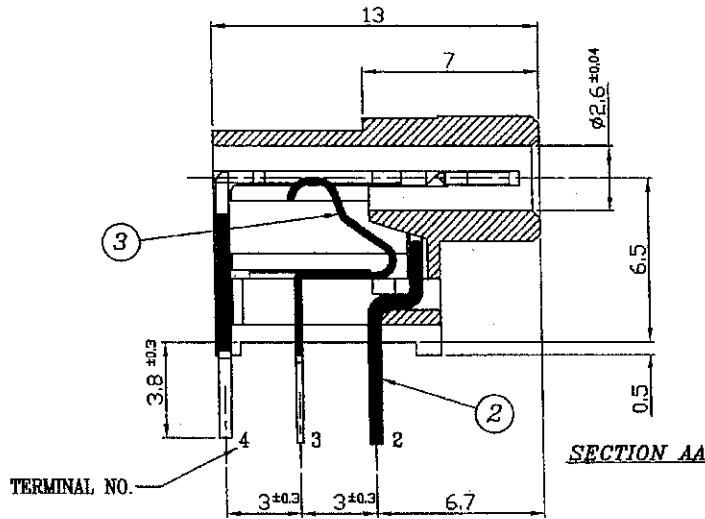
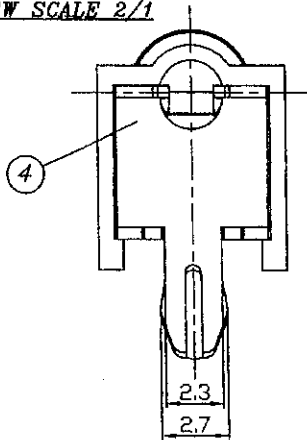
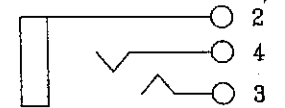


3D VIEW SCALE 2/1

REVISION			
LTR	DESCRIPTION	DATE	APPROVED
VER.1	Replace old version issued on 11-01-2000	10-03-2011	K.F.I.M

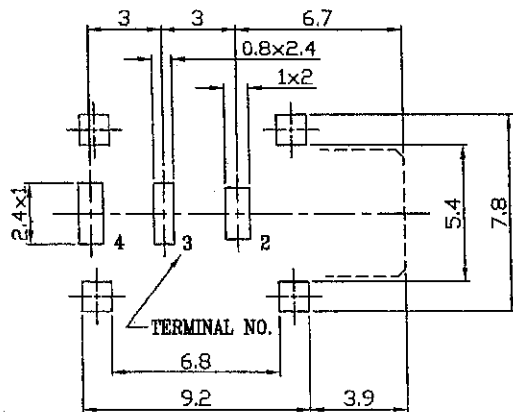


TERMINAL NO.

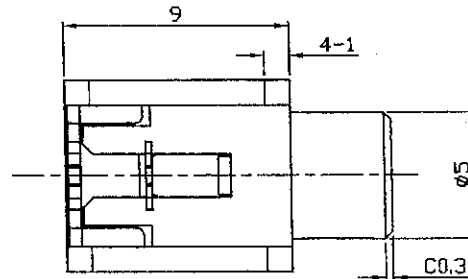


CIRCUIT DIAGRAM

LET	PART NAME	QTY	MATERIAL	REMARK
4	RING SPRING	1	BRASS 0.5t	Ag-PLATED
3	TIP SPRING	1	COPPER ALLOY 0.25t	Ag-PLATED
2	EARTH TERMINAL	1	BRASS 0.5t	Ag-PLATED
1	JACK CASING	1	PBT/CF RESIN	SEE TABLE



PC BOARD HOLE LAYOUT(GEN TOLS: ±0.1)



TOLERANCES X ≤ 5 = ±0.10 X > 5 = ±0.30 ANGULAR = ± --- DO NOT SCALE DWG.	PART NAME		SCALE
	Ø2.5 STEREO EARPHONE JACK		
	MATL		DRN / APPD.
	AS SHOWN IN TABLE		
DATE			
10-03-2011			

SHOGYO INTERNATIONAL CORP.

#MJ-3625