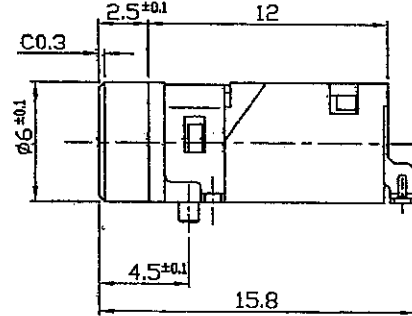
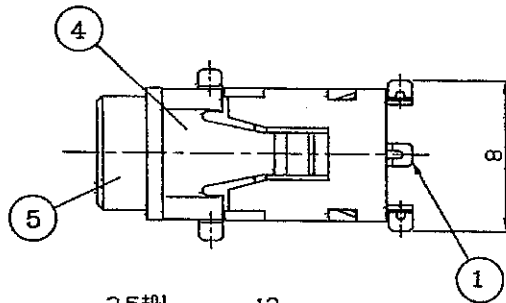
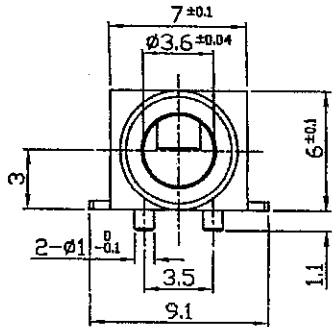
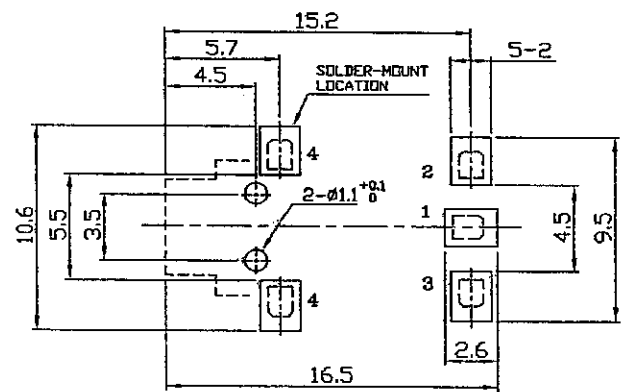


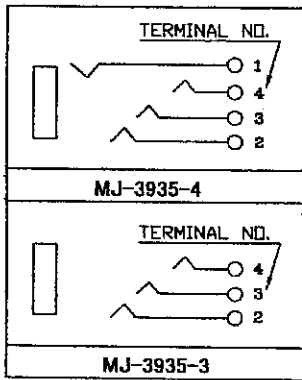
COPLANARITY FOR ALL TERMINALS



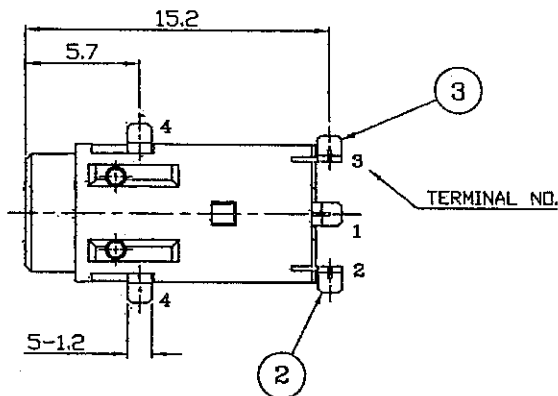
REVISION			
LTR	DESCRIPTION	DATE	APPROVED



PCB HOLE & SURFACE MOUNT LAYOUT (TOLS:±0.1)



CIRCUIT DIAGRAM



LET	PART NAME	QTY	MATERIAL	REMARK
5	CASING	1	PA66/GF RESIN	SEE TABLE
4	TIP SPRING 4	1	PBs 0.4t	Ag-PLATED
3	RING SPRING 3	1	PBs 0.25t	Ag-PLATED
2	SLEEVE SPRING 2	1	PBs 0.25t	Ag-PLATED
1	EARTH TERMINAL	1	PBs 0.25t	Ag-PLATED

TOLERANCES	
X ≤ 5	± 0.20
X > 5	± 0.30
ANGULAR	± ---
DO NOT SCALE DWG.	
FINISHED	

MATL	SCALE
AS SHOWN IN TABLE	3/1 mm
DATE	DRN / APPD.
27-11-2007	Y.H.TSANG/K.F.M

SHOGYO INTERNATIONAL CORP.
 # MJ-3935
 3.5 EARPHONE JACK