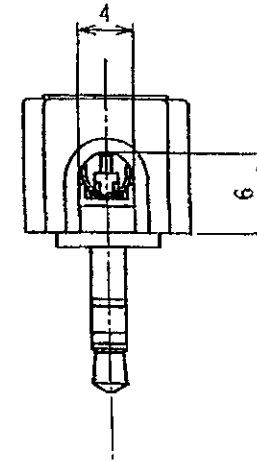
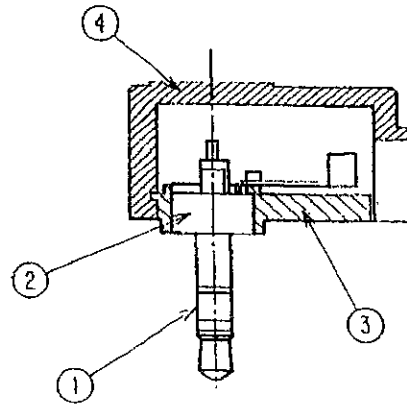
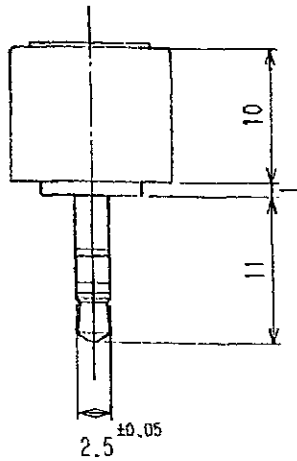
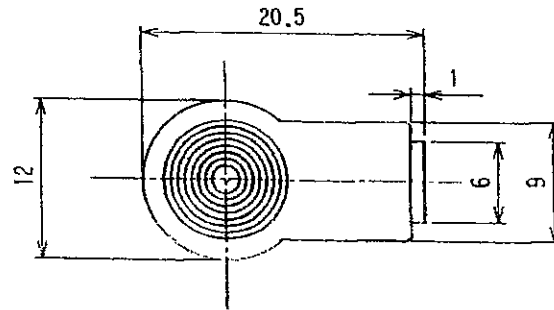


SPECIFICATION

1. DIELECTRIC STRENGTH:  
500V AC FOR 1MINUTE.
2. INSULATION RESISTANCE:  
100MΩ AT 500V DC.
3. CONTACT RESISTANCE:  
50mΩ MAX.



TOLERANCE	SCALE
±0.3	2/1

LET	PART NAME	MATERIAL	QTY	FINISH	NOTE
4	CAP	PP	1		
3	BASE	PC	1		
2	RING	BRASS	1	NI	
1	PLUG		1		

**SHOGYO INTERNATIONAL CORP.**  
**#MP-023L**