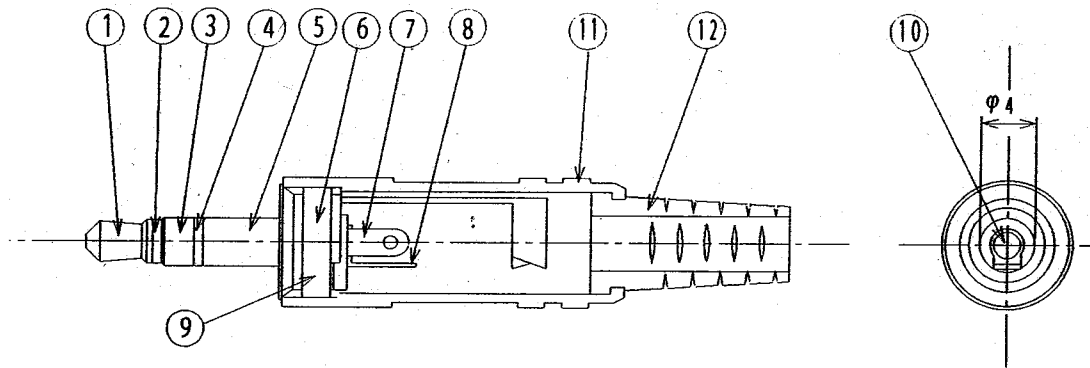


1. 絶縁抵抗: DC500V 100MΩ以上
2. 耐電圧: AC500V 1分間
3. 頭部形状: EIAJ RC-6701Aに準ずる



12	CABLE PROTECTOR		PVC	
11	CAP		BSBM	Ni-P
10	PIN		STEEL	Ni-P
9	INSULATOR C		POLYCARBONATE	
8	TERMINAL A		BSBM	Ni-P
7	TERMINAL B	1	BSBM	Ni-P
6	BODY	1	ABS RESIN	
5	CONTACT C	1	BSBM	Ni-P
4	INSULATOR B	1	ABS RESIN	
3	CONTACT B	1	BSBM	Ni-P
2	INSULATOR A	1	ABS RESIN	
1	CONTACT A	1	BSBM	Ni-P
No	PART NAME	QTY	MATERIAL	FINISH

TOLERANCE	SCALE
±0.3	2/1

SHOGYO INTERNATIONAL CORP.

#MP-060M