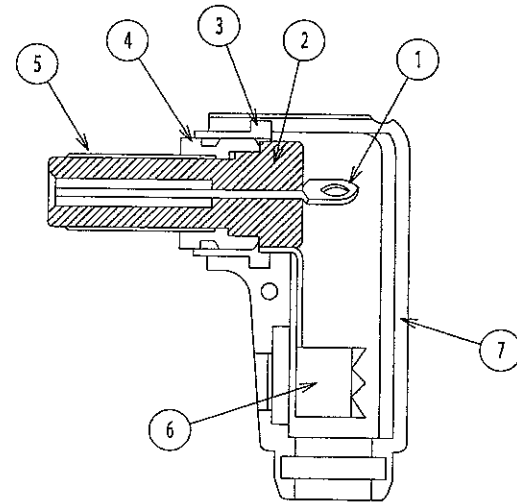


A	
MP121LL	φ2.1
MP122LL	φ2.5



SPECIFICATION

1. RATING : DC12V 1A
2. DIELECTRIC STRENGTH
AC500V for 1minute
3. INSULATION RESISTANCE:
4. CONTACT RESISTANCE:
30mΩ min

7	CAP	PP	1			TOLERANCE	SCALE	DATE
6	TERMINAL	STEEL	1	Ni		±0.3	2/1	06/1/10
5	SLEEVE	BRASS	1	Ni				
4	METAL B	BRASS	1	Ni				
3	METAL A	BRASS	1	Ni				
2	INSULATOR	PBT	1					
1	CONTACT	COPPER ALLOY	1	Ni				
LET	PART NAME	MATERIAL	QTY	FINISH	NOTE			

SHOGYO INTERNATIONAL CORP.

#MP-121LL / MP-122LL