

Note:

Insulation Resistance:

100 Megaohm min. @500VDC

Dielectric Strength:

500VAC for one minute.

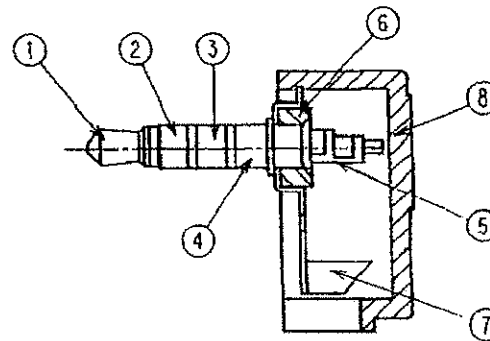
Contact Resistance:

50 miliohm Max.

Operating Temperature:

-25 to 70°C.

Rating: 34VAC/DC 1A



LET	PART NAME	MATERIAL	QTY	FINISH	NOTE	TOLERANCE	SCALE
8	CAP	PE	1				
7	FRAME	BRASS	1	NI			
6	INSULATOR B	POM	1			±0.5	2/1
5	INSULATOR A	POM	1				
4	CONTACT D	BRASS	1	NI			
3	CONTACT C	BRASS	1	NI			
2	CONTACT B	BRASS	1	NI			
1	CONTACT A	BRASS	1	NI			

SHOGYO INTERNATIONAL CORP.

#MP-435L