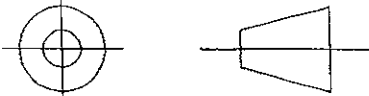


SPECIFICATION

- (1) ITEM NO: SBH-331-2AS/two position switch
- (2) WIRE: UL1007 AWG#26
 BLACK & RED: 150MM±5MM
 STRIP & TIN: 4MM±1MM
- (3) MATERIAL: ABS RESIN BLACK COLOR
- (4) SPRING: 0.5MM 65C SPRING WIRE
- (5) SWITCH: SK13D07VG5

3		
2		
1		
NO	MODIFICATION	DATE
 THIRD ANGLE PROJON		

SCALE	1:1
UNIT	MM
MAT,L	ABS
DATE	JUN.6.2005

SHOGYO INTERNATIONAL CORP.
SBH-331-2AS
BATTERY HOLDER