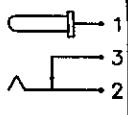
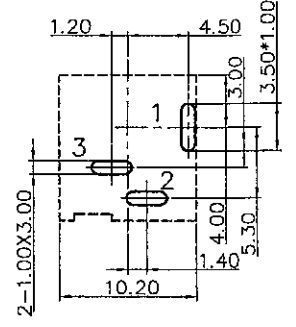
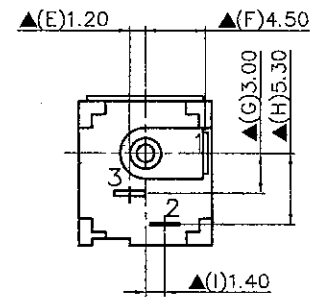
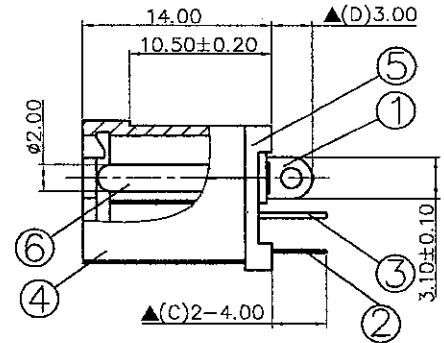
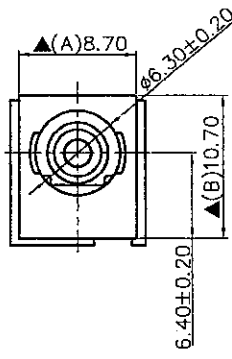
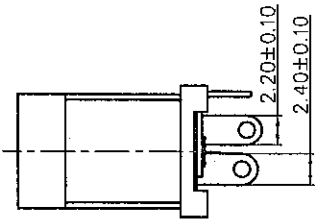
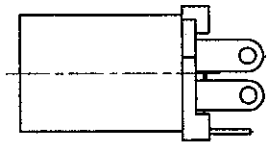


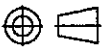
SCHEMATIC	
MODEL NO	C



Pin Hole Layout
(Jack Bottom View)



	Pin(2.0φ)	Copper	1	Nickel Plated
5.	Cover	PBT	1	Black Color
4.	Housing	PBT	1	Black Color
3.	Break Terminal	0.4T Brass	1	Silver Plated
2.	Sleeve Spring	0.20 Phosphor Bronze	1	Silver Plated
1.	Pin Terminal	0.4T Brass	1	Silver Plated
NO.	Description	Material	Q'TY	Finish

	DATE	DWN	CHKD	APVD	MANAGER
	10.25.2012				
PART NAME :DC POWER JACK				VERSION:5.0	
TOLERANCE :±0.3mm UNLESS OTHERWISE SPECIFIED			UNIT:mm		SCALE:1/1

RoHS Compliant For Reference
僅供參考

SPECIFICATIONS:
Contact Resistance : 30mΩ max
Current Rating : Max 5.0A , 24V DC
Insulation Resistance : 100MΩ min. at DC 500V
Dielectric Withstanding Voltage: AC 500V for one minute
Remark: ▲ : The Most Important Dimension

SHOGYO INTERNATIONAL CORP.
#SCD433CCS000B00G