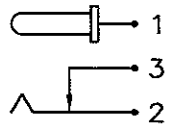
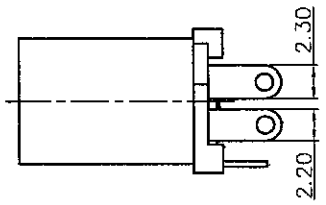
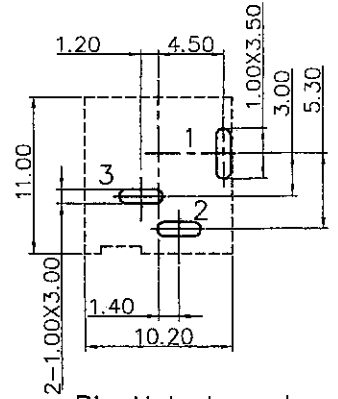
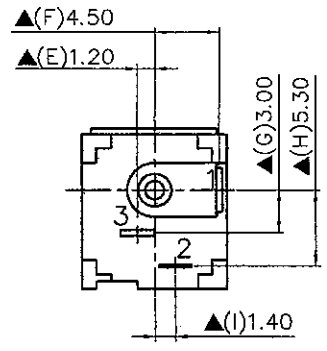
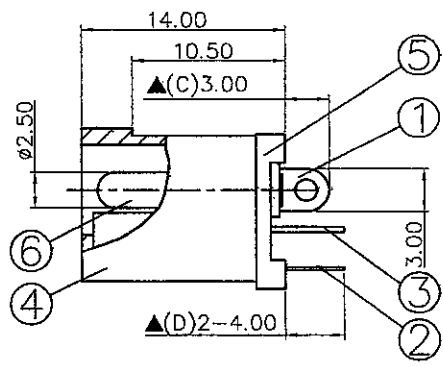
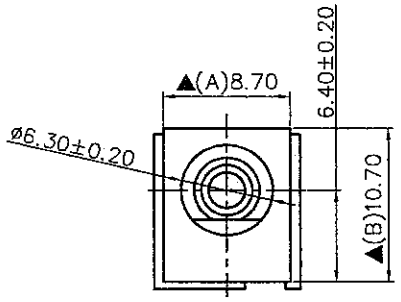
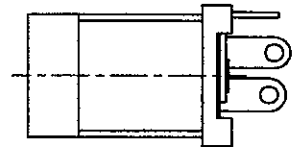



SCHEMATIC	
MODEL NO	C



6.	Pin(2.5φ)	Copper	1	Nickel Plated
5.	Cover	PBT	1	Black Color
4.	Housing	PBT	1	Black Color
3.	Break Terminal	0.4T Brass	1	Silver Plated
2.	Sleeve Spring	0.25 Phosphor Bronze	1	Silver Plated
1.	Pin Terminal	0.4T Brass	1	Silver Plated
NO.	Description	Material	Q'TY	Finish

	DATE	DWN	CHKD	APVD	MANAGER
	10.26.2012				

PART NAME :DC POWER JACK	VERSION:9.0
TOLERANCE :±0.3mm UNLESS OTHERWISE SPECIFIED	UNIT:mm  SCALE:1/1

RoHS Compliant For Reference 僅供參考

SPECIFICATIONS:  
 Contact Resistance : 30mΩ max  
 Current Rating : Max 5.0A , 24V DC  
 Insulation Resistance : 100MΩ min. at DC 500V  
 Dielectric Withstanding Voltage: AC 500V for one minute  
 Remark: ▲ : The Most Important Dimension

**SHOGYO INTERNATIONAL CORP.**  
**#SCD437DCS000B00G**