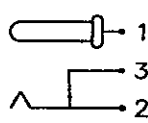
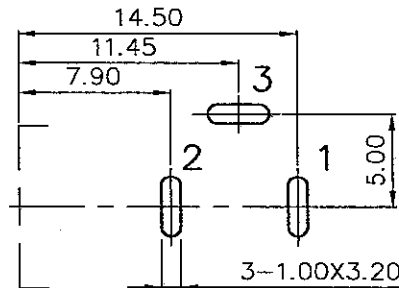
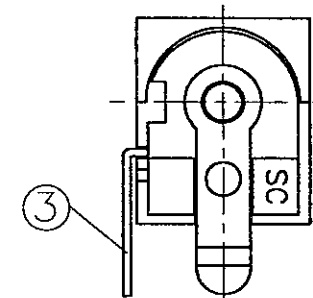
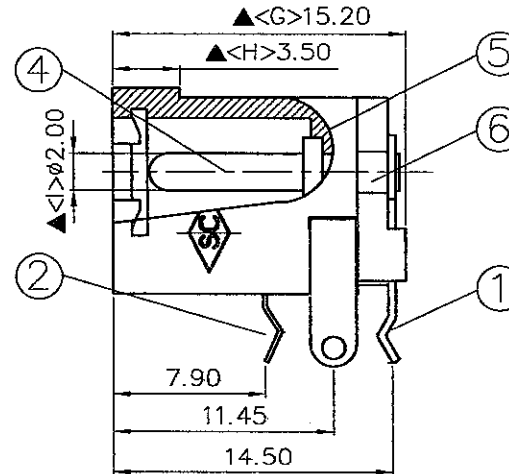
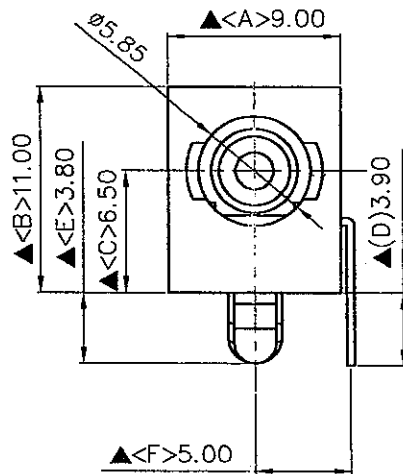


SCHEMATIC	
MODEL NO	C



Pin Hole Layout  
(Jack Bottom View)

6.	Cover	PBT+30% Fibre Glass	1	Black Color
5.	Housing	PBT+30% Fibre Glass	1	Black Color
4.	Pin(2.0φ)	Copper	1	Nickel Plated
3.	Break Terminal	0.4T Brass	1	Silver Plated
2.	Sleeve Spring	0.2T Phosphor Bronze	1	Silver Plated
1.	Pin Terminal	0.4T Brass	1	Silver Plated
NO.	Description	Material	Q'TY	Finish

DATE	DWN	CHKD	APVD	MANAGER
11.05.2012	陳麗敏			

PART NAME:DC POWER JACK

VERSION:5.0

TOLERANCE:±0.3mm UNLESS OTHERWISE SPECIFIED UNIT:mm



SCALE:1/1

RoHS Compliant For Reference  
僅供參考

SPECIFICATIONS:

Contact Resistance : 30mΩ max  
Current Rating : Max 5.0A , 24V DC  
Insulation Resistance : 100MΩ min. at DC 500V  
Dielectric Withstanding Voltage: AC 500V for one minute  
Remark: ▲: The Most Important Dimension

SHOGYO INTERNATIONAL CORP.

#SCD442CCS013B00G