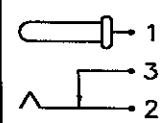
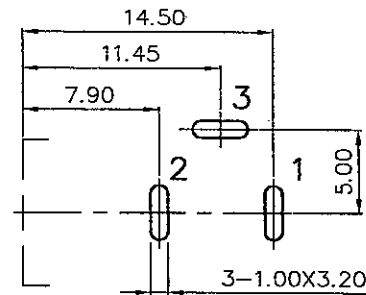
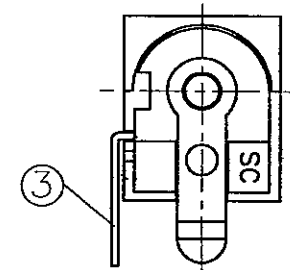
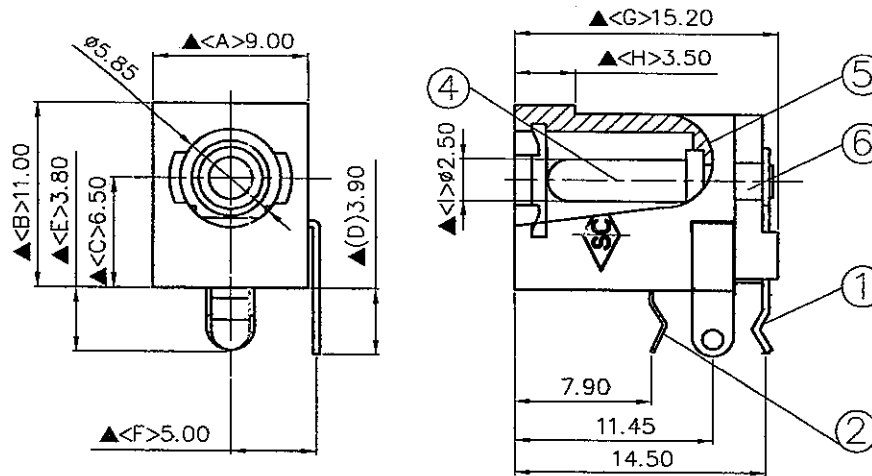



SCHEMATIC	
MODEL NO	C



Pin Hole Layout  
(Jack Bottom View)

NO.	Description	Material	Q'TY	Finish
6.	Cover	PBT+30% Fibre Glass	1	Black Color
5.	Housing	PBT+30% Fibre Glass	1	Black Color
4.	Pin(2.5φ)	Copper	1	Nickel Plated
3.	Break Terminal	0.4T Brass	1	Silver Plated
2.	Sleeve Spring	0.2T Phosphor Bronze	1	Silver Plated
1.	Pin Terminal	0.4T Brass	1	Silver Plated

DATE	DWN	CHKD	APVD	MANAGER
11.02.2012				
PART NAME:DC POWER JACK			VERSION:5.0	
TOLERANCE:±0.3mm UNLESS OTHERWISE SPECIFIED UNIT:mm				SCALE:1/1

RoHS  
Compliant

For Reference  
僅供參考

SPECIFICATIONS:  
 Contact Resistance : 30mΩ max  
 Current Rating : Max 5.0A , 24V DC  
 Insulation Resistance : 100MΩ min. at DC 500V  
 Dielectric Withstand Voltage : AC 500V for one minute  
 Remark: ▲ : The Most Important Dimension

**SHOGYO INTERNATIONAL CORP.**  
**#SCD442DCS013B00G**