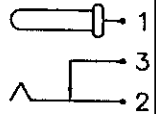
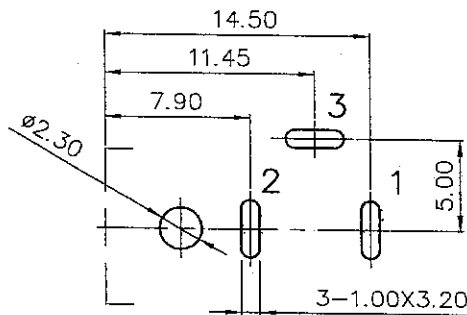
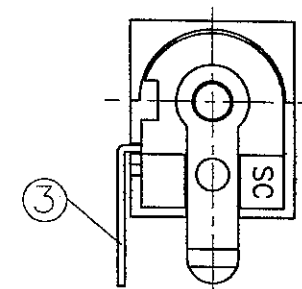
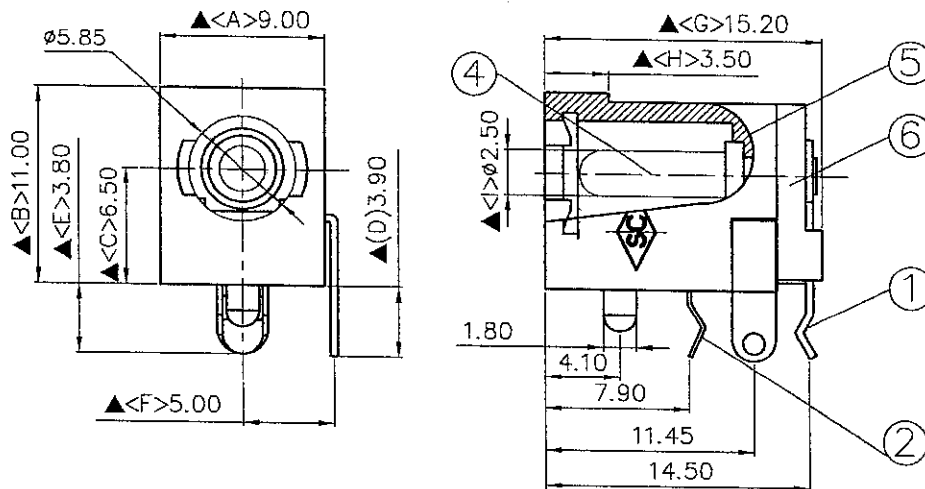


SCHEMATIC	
MODEL NO	C



Pin Hole Layout
(Jack Bottom View)

NO.	Description	Material	Q'TY	Finish
6.	Cover	PBT+30% Fibre Glass	1	Black Color
5.	Housing	PBT+30% Fibre Glass	1	Black Color
4.	Pin(2.5 ϕ)	Copper	1	Nickel Plated
3.	Break Terminal	0.4T Brass	1	Silver Plated
2.	Sleeve Spring	0.2T Phosphor Bronze	1	Silver Plated
1.	Pin Terminal	0.4T Brass	1	Silver Plated

DATE	DWN	CHKD	APVD	MANAGER
11.05.2012				
PART NAME:DC POWER JACK				VERSION:5.0
TOLERANCE:±0.3mm UNLESS OTHERWISE SPECIFIED				UNIT:mm
				SCALE:1/1

RoHS
Compliant

For Reference
僅供參考

SPECIFICATIONS:
 Contact Resistance : 30m Ω max
 Current Rating : Max 5.0A , 24V DC
 Insulation Resistance : 100M Ω min. at DC 500V
 Dielectric Withstand Voltage : AC 500V for one minute
 Remark: ▲: The Most Important Dimension

SHOGYO INTERNATIONAL CORP.
#SCD443DCS013B00G