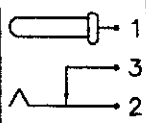
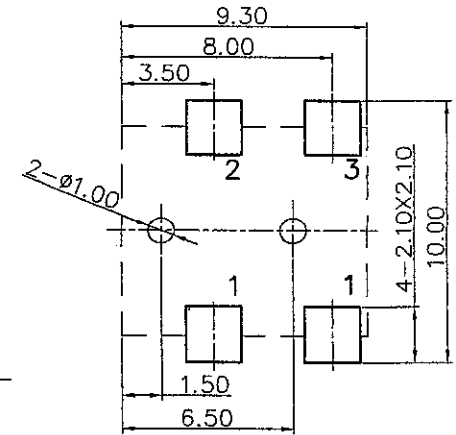
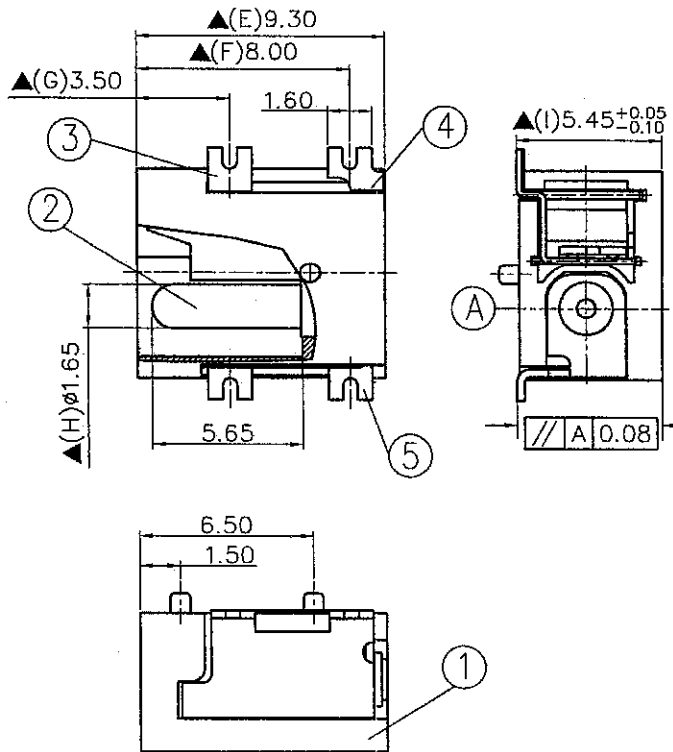
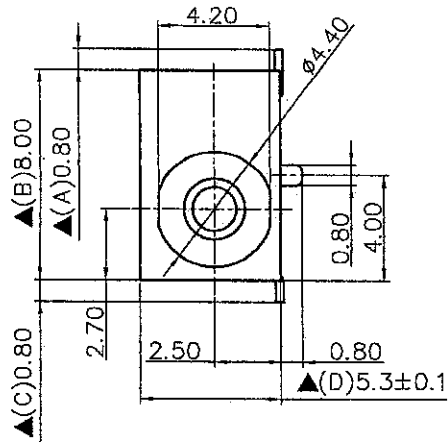


SCHEMATIC	
CODE NO	C



Pin Hole Layout
(Jack Bottom View)

5.	Spring	0.3T Phosphor Bronze	1	Silver Plated
4.	Break Terminal	0.2T Bronze	1	Silver Plated
3.	Pin Terminal	0.3T Bronze	1	Silver Plated
2.	Pin(Ø1.65)	Brass	1	Silver Plated
1.	Housing	PA10T	1	Black Color
NO.	Description	Material	Q'TY	Finish

DATE	DWN	CHKD	APVD	MANAGER
06.14.2012				

PART NAME : DC POWER JACK

VERSION:2.0

TOLERANCE :±0.3mm UNLESS OTHERWISE SPECIFIED

UNIT:mm



SCALE:1/1

RoHS
Pb Free Process

For Reference
僅供參考

SPECIFICATIONS:

Contact Resistance : 30mΩ max
 Current Rating : Max 5.0A , 24VDC
 Insulation Resistance : 100MΩ min. at DC 500V
 Dielectric Withstanding Voltage: AC 500V for one minute
 Remark: ▲: The Most Important Dimension

SHOGYO INTERNATIONAL CORP.

#SCD473BCS000B00G