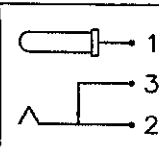
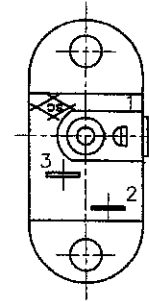
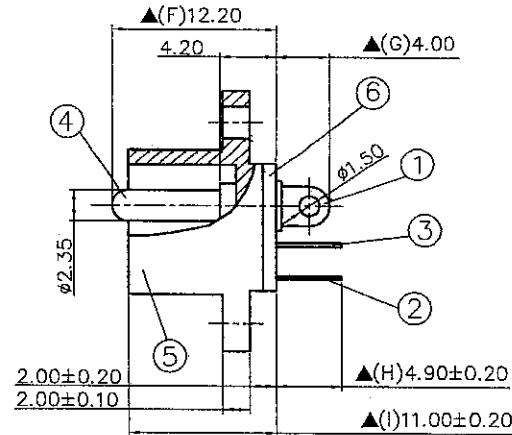
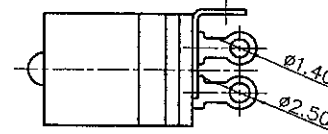
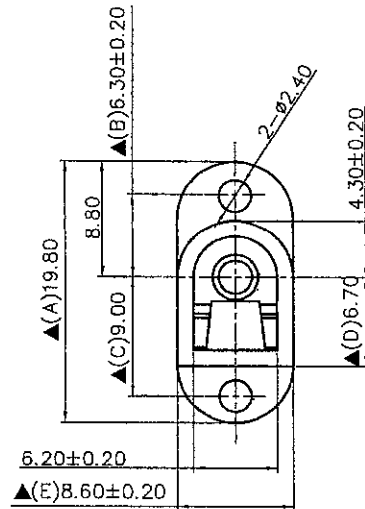



SCHEMATIC	
MODEL NO	C



6.	Insulator	1.0T Bakelite	1	Natural
5.	Housing	PBT-UL-94V0	1	Black Color
4.	Pin(2.35φ)	Copper	1	Nickel Plated
3.	Break Terminal	0.3T Brass	1	Silver Plated
2.	Sleeve Spring	0.2T Phosphor Bronze	1	Silver Plated
1.	Pin Terminal	0.4T Brass	1	Silver Plated
NO.	Description	Material	Q'TY	Finish

	DATE	DWN	CHKD	APVD	MANAGER
	11.28.2012				

PART NAME : DC POWER JACK	VERSION:6.0
TOLERANCE :±0.3mm UNLESS OTHERWISE SPECIFIED	UNIT:mm  SCALE:1/1

RoHS Compliant For Reference
僅供參考

SPECIFICATIONS:
 Contact Resistance : 30mΩ max
 Current Rating : Max 5.0A , 24VDC
 Insulation Resistance : 100MΩ min. at DC 500V
 Dielectric Withstand Voltage : AC 500V for one minute
 Remark: ▲: The Most Important Dimension

SHOGYO INTERNATIONAL CORP.
#SCD516HCS000B00G