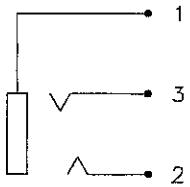
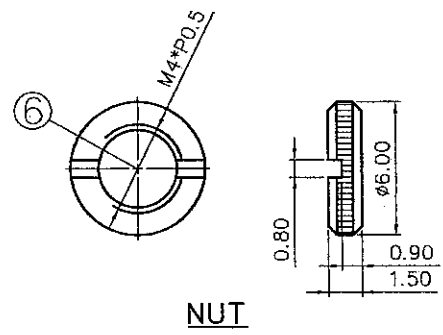
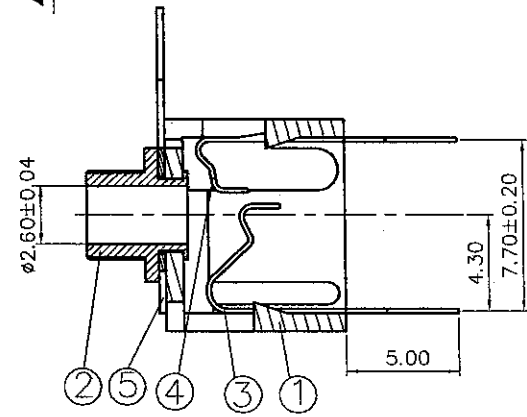
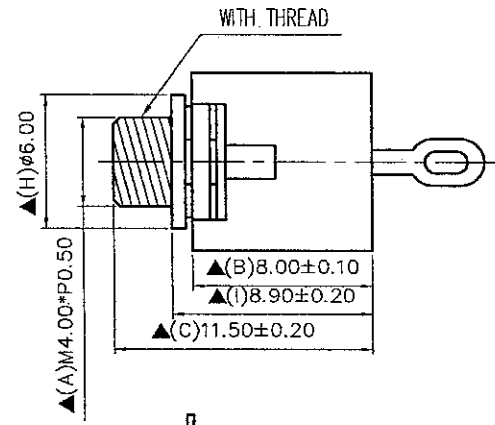
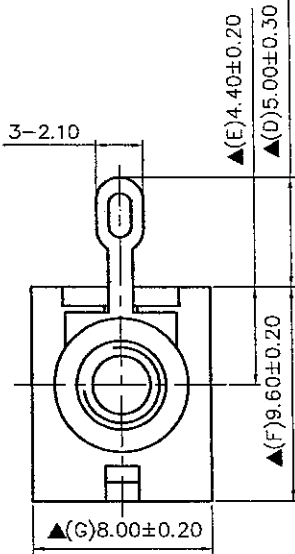


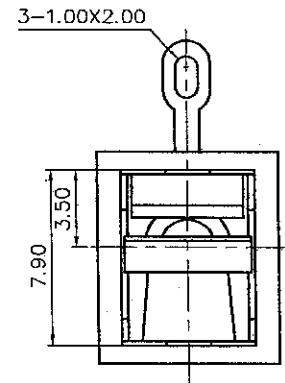
Y



X



NUT



6.	Nut	1.5T Brass	1	Nickel Plated
5.	Earth Terminal	0.3T Brass	1	Silver Plated
4.	Ring Spring	0.2T Phosphor Bronze	1	Silver Plated
3.	Tip Spring	0.2T Phosphor Bronze	1	Silver Plated
2.	Barrel (W/Thread)	Brass	1	Nickel Plated
1.	Housing	POM	1	Black Color
NO.	Description	Material	Q'TY	Finish

DATE	DWN	CHKD
09.08.2011		

PART NAME : 2.5φ PHONE JACK

TOLERANCE : ±0.3mm UNLESS OTHERWISE SPECIFIED

UNIT:mm

SPECIFICATIONS:
 Contact Resistance : 30mΩ max
 Insulation Resistance : 100MΩ min. at DC 500V
 Dielectric Withstanding Voltage: AC 500V for one minute
 Remark: ▲: The Most Important Dimension

RoHS Compliant For Reference 僅供參考

SHOGYO INTERNATIONAL CORP.
 # SCJ211M1N(*)S1B00G