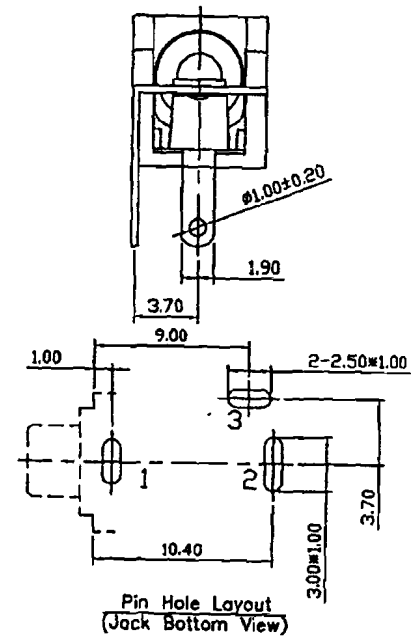
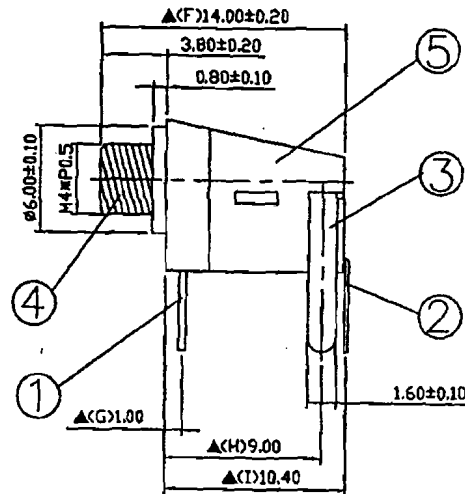
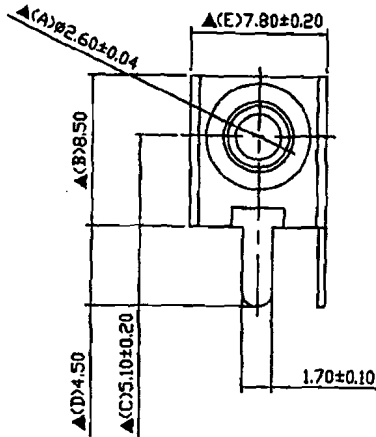
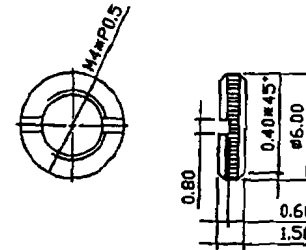
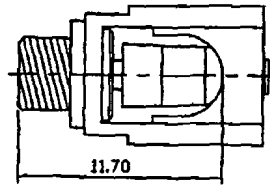


SCHEMATIC	
MODEX NO	Y



5.	Housing	POM	1	Black Color
4.	Barrel(W/Thread)	Brass	1	Nickel Plated
3.	Break Terminal	0.4T Brass	1	Silver Plated
2.	Tip Spring	0.2T Phosphor Bronze	1	Silver Plated
1.	Pin Terminal	0.4T Brass	1	Silver Plated
NO	Description	Material	Q' TY	Finish

		DATE	DWN	CHKD
		11.30.2005	鄧華香	陸芳
PART NAME : 2.5φ PHONE JACK				
TOLERANCE : ±0.3mm UNLESS OTHERWISE SPECIFIED			UNIT:mm	

SPECIFICATIONS:
 Contact Resistance : 30mΩ max
 Insulation Resistance : 100MΩ min. at DC 500V
 Dielectric Withstand Voltage : AC 500V for one minute
 Remark: ▲: The Most Important Dimension

SHOGYO INTERNATIONAL CORP.
SCJ218M1NYS1B00G