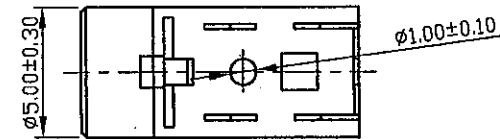
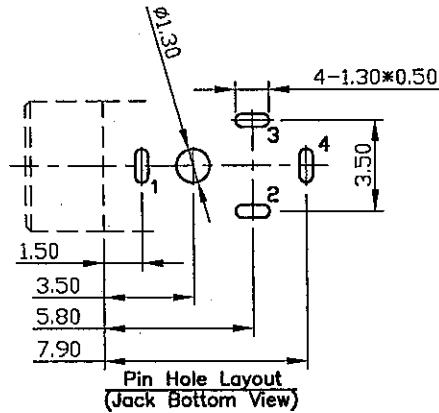
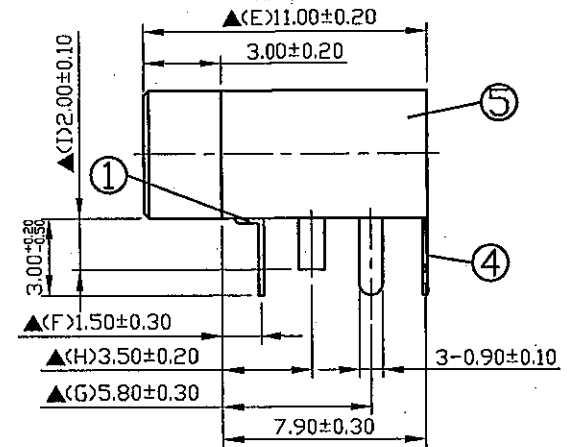
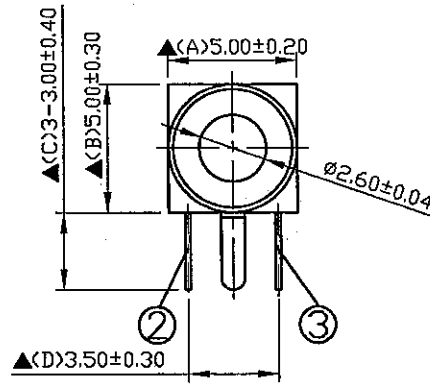


SCHEMATIC	
MODEX NO	I



5.	Housing	PBT	1	Black Color
4.	Ring Spring	0.2T Phosphor Bronze	1	Silver Plated
3.	Tip Spring	0.2T Phosphor Bronze	1	Silver Plated
2.	Tip Spring	0.2T Phosphor Bronze	1	Silver Plated
1.	Earth Terminal	0.2T Phosphor Bronze	1	Silver Plated
NO.	Description	Material	QTY	Finish

RoHS  
Compliant

For Reference  
僅供參考

SPECIFICATIONS:  
 Contact Resistance : 30mΩ max  
 Insulation Resistance : 100MΩ min. at DC 500V  
 Dielectric Withstanding Voltage: AC 500V for one minute  
 Remark: ▲ : The Most Important Dimension

DATE	DWN	CHKD	APVD	MANAGER
05.04.2006				

PART NAME : 2.5φ PHONE JACK

VERSION:3.0

TOLERANCE :±0.3mm UNLESS OTHERWISE SPECIFIED

UNIT:mm



SCALE:1/1

**SHOGYO INTERNATIONAL CORP.**

**#SCJ225P00IS0B00G**