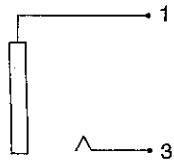
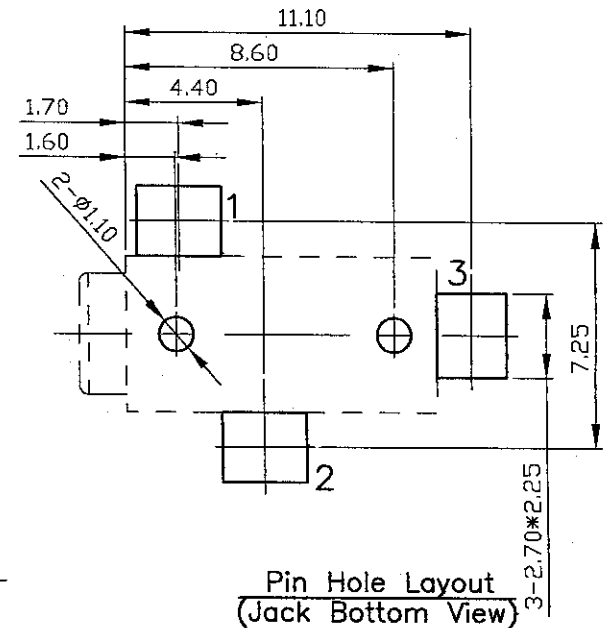
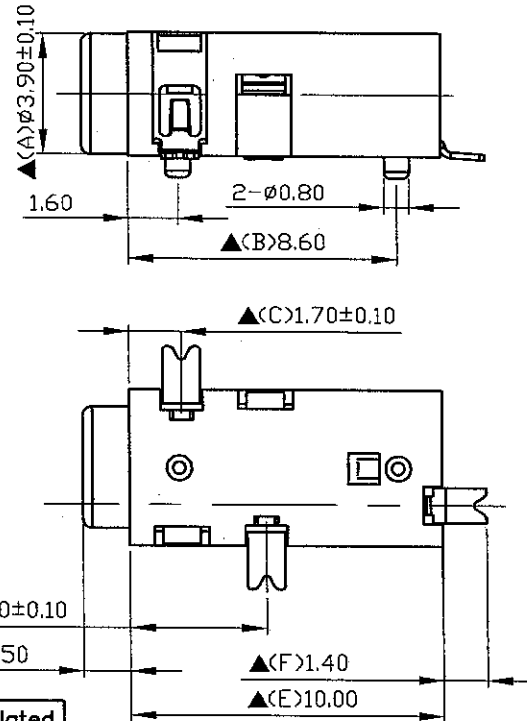
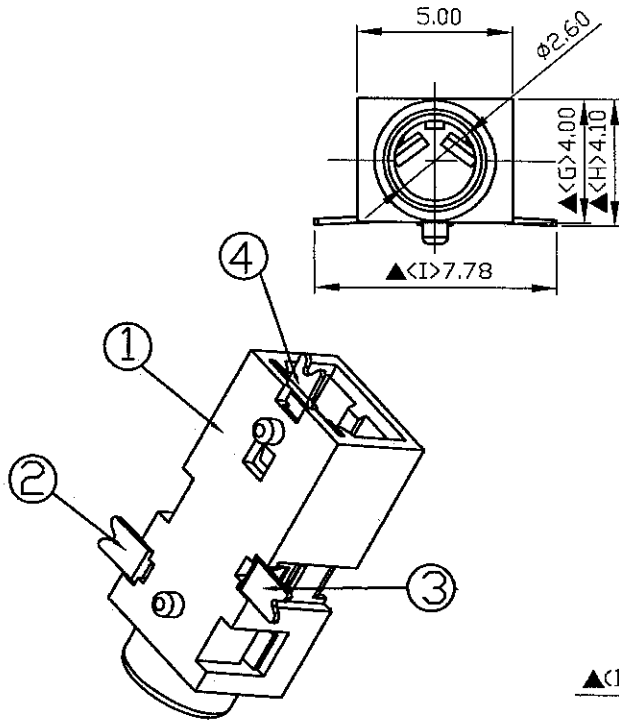


X



Z



NO.	Description	Material	Q'TY	Finish
4.	Tip Spring	0.2T Phosphor Copper	1	Gold Plated
3.	Ring Spring	0.2T Phosphor Copper	1	Gold Plated
2.	Earth Terminal	0.2T Phosphor Copper	1	Gold Plated
1.	Housing	PA9T	1	Black Color

RoHS
Pb Free Process

For Reference
僅供參考

SPECIFICATIONS:
 Contact Resistance : 30mΩ max
 Insulation Resistance : 100MΩ min. at DC 500V
 Dielectric Withstanding Voltage: AC 500V for one minute
 Remark: ▲: The Most Important Dimension

		DATE	DWN	CHKD
		02.18.2009		
PART NAME : 2.5φ PHONE JACK				
TOLERANCE : ±0.3mm UNLESS OTHERWISE SPECIFIED		UNIT:mm		

SHOGYO INTERNATIONAL CORP.
 # SCJ234P00(*)G0B00G