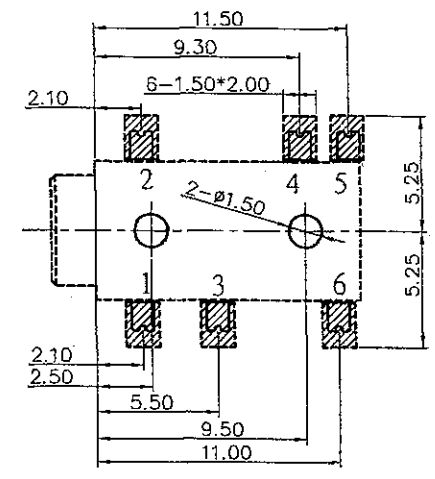
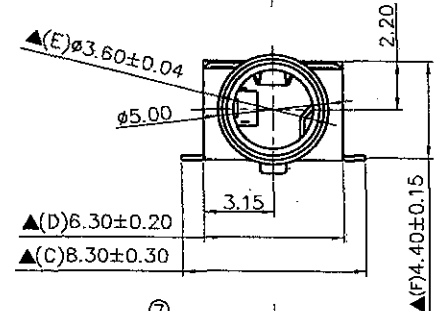
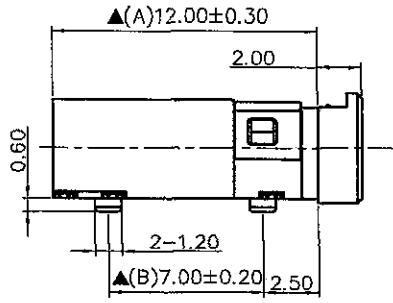
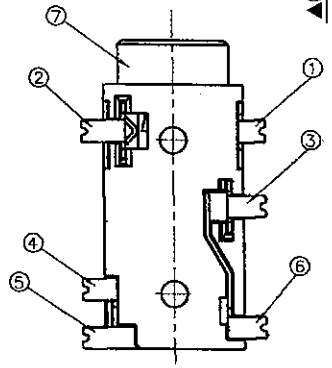


RECOMMENDED PCB LAYOUT  
TOP VIEW (TOLERANCE:±0.05)



Pin Hole Layout  
(Jack Bottom View)



7.	Housing	LCP	1	Black Color
6.	TERMINAL 6	0.2T Brass	1	Silver Plated
5.	TERMINAL 5	0.2T Brass	1	Silver Plated
4.	TERMINAL 4	0.2T Phosphor Bronze	1	Silver Plated
3.	TERMINAL 3	0.2T Phosphor Bronze	1	Silver Plated
2.	TERMINAL 2	0.25T Phosphor Bronze	1	Silver Plated
1.	TERMINAL 1	0.2T Phosphor Bronze	1	Silver Plated
NO.	Description	Material	Q'TY	Finish

DATE	DWN	CHKD
11.19.2012	陳麗敏	

PART NAME :3.5 PHONE JACK

TOLERANCE :±0.3mm UNLESS OTHERWISE SPECIFIED

UNIT:mm

RoHS  
Compliant

SPECIFICATIONS:  
 Contact Resistance : 30mΩ max  
 Insulation Resistance : 100MΩ min. at DC 500V  
 Dielectric Withstand Voltage : AC 500V for one minute  
 Remark: ▲: The Most Important Dimension

**SHOGYO INTERNATIONAL CORP.**  
 # SCJ3008P00(\*)S0B00G