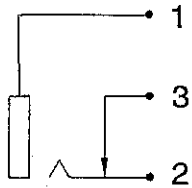
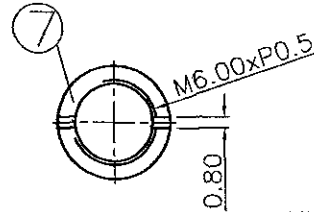
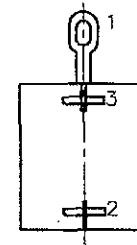
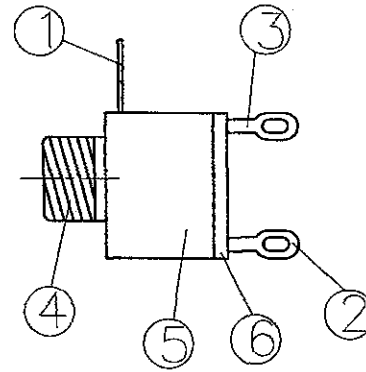
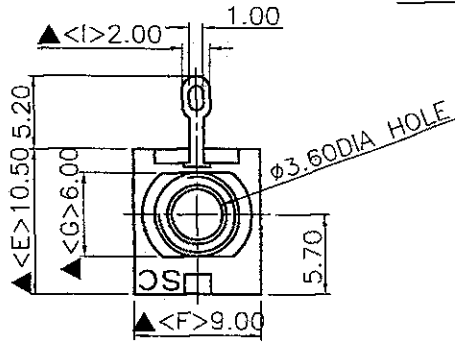
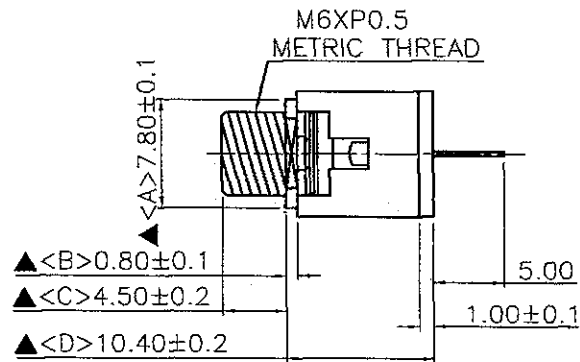


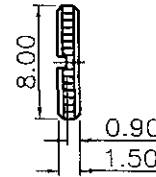
X



Y



NUT



RoHS
Compliant

| | | | | |
|-----|------------------|----------------------|------|---------------|
| 7. | NUT | 1.5T Brass | 1 | Nickel Plated |
| 6. | Cover | 1.0T Bakelite | 1 | Natural |
| 5. | Housing | POM | 1 | Ivory Color |
| 4. | Barrel(W/Thread) | Brass | 1 | Nickel Plated |
| 3. | Break Spring | 0.3T Phosphor Bronze | 1 | Silver Plated |
| 2. | Tip Spring | 0.2T Phosphor Bronze | 1 | Silver Plated |
| 1. | Earth Terminal | 0.3T Brass | 1 | Silver Plated |
| NO. | Description | Material | Q'TY | Finish |

| DATE | DWN | CHKD |
|------------|-----|------|
| 10.17.2011 | | |

SPECIFICATIONS:

Contact Resistance : 30mΩ max
 Insulation Resistance : 100MΩ min. at DC 500V
 Dielectric Withstanding Voltage: AC 500V for one minute
 Remark: ▲: The Most Important Dimension

PART NAME : 3.5φ PHONE JACK

TOLERANCE : ±0.3mm UNLESS OTHERWISE SPECIFIED

UNIT:mm

SHOGYO INTERNATIONAL CORP.

SCJ312M1N(*)S1H00G