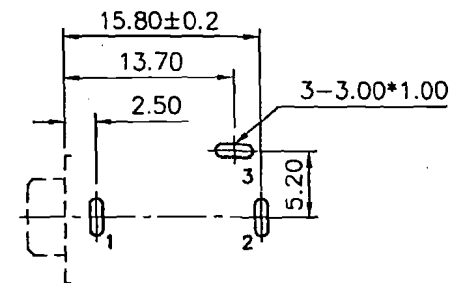
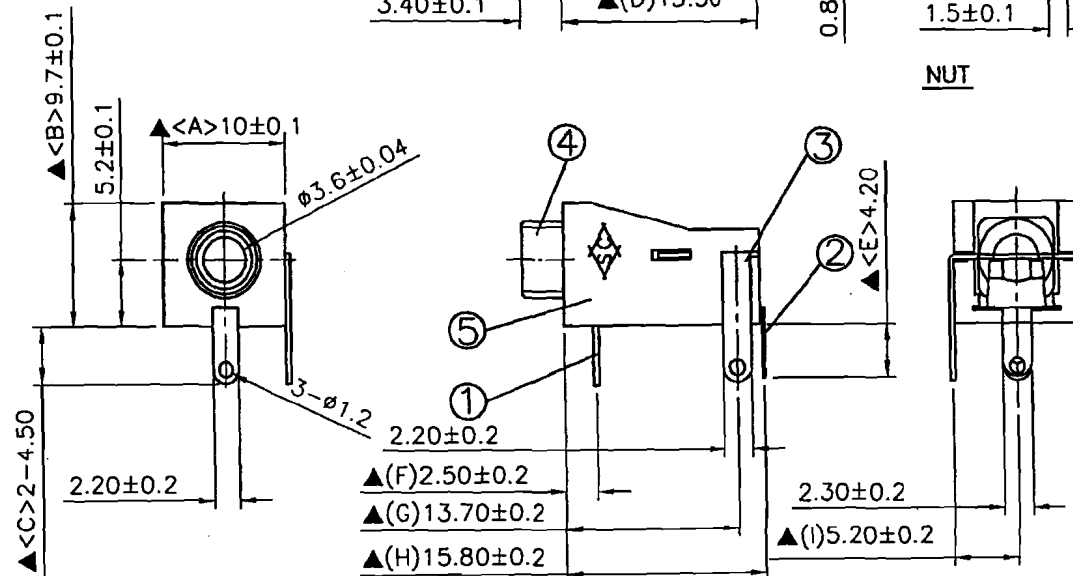


NUT



Pin Hole layout
(Jack Bottom View)

NO.	Description	Material	Q'TY	Finish
6.	NUT	1.5T Brass	1	Nickel Plated
5.	Housing	POM	1	Black Color
4.	Barrel	Brass	1	Nickel Plated
3.	Break Terminal	0.4T Brass	1	Silver Plated
2.	Tip Spring	0.2T Phosphor Bronze	1	Silver Plated
1.	Earth Terminal	0.4T Brass	1	Silver Plated

DATE	DWN	CHKD
12.04.2007	姜穎	易海輝
PART NAME : 3.5φ PHONE JACK		
TOLERANCE : ±0.3mm UNLESS OTHERWISE SPECIFIED		
UNIT: mm		

RoHS
Compliant

SPECIFICATIONS:
 Contact Resistance : 30mΩ max
 Insulation Resistance : 100MΩ min. at DC 500V
 Dielectric Withstanding Voltage: AC 500V for one minute
 Remark: ▲: The Most Important Dimension

SHOGYO INTERNATIONAL CORP.

SCJ324M1NYS1B00G